

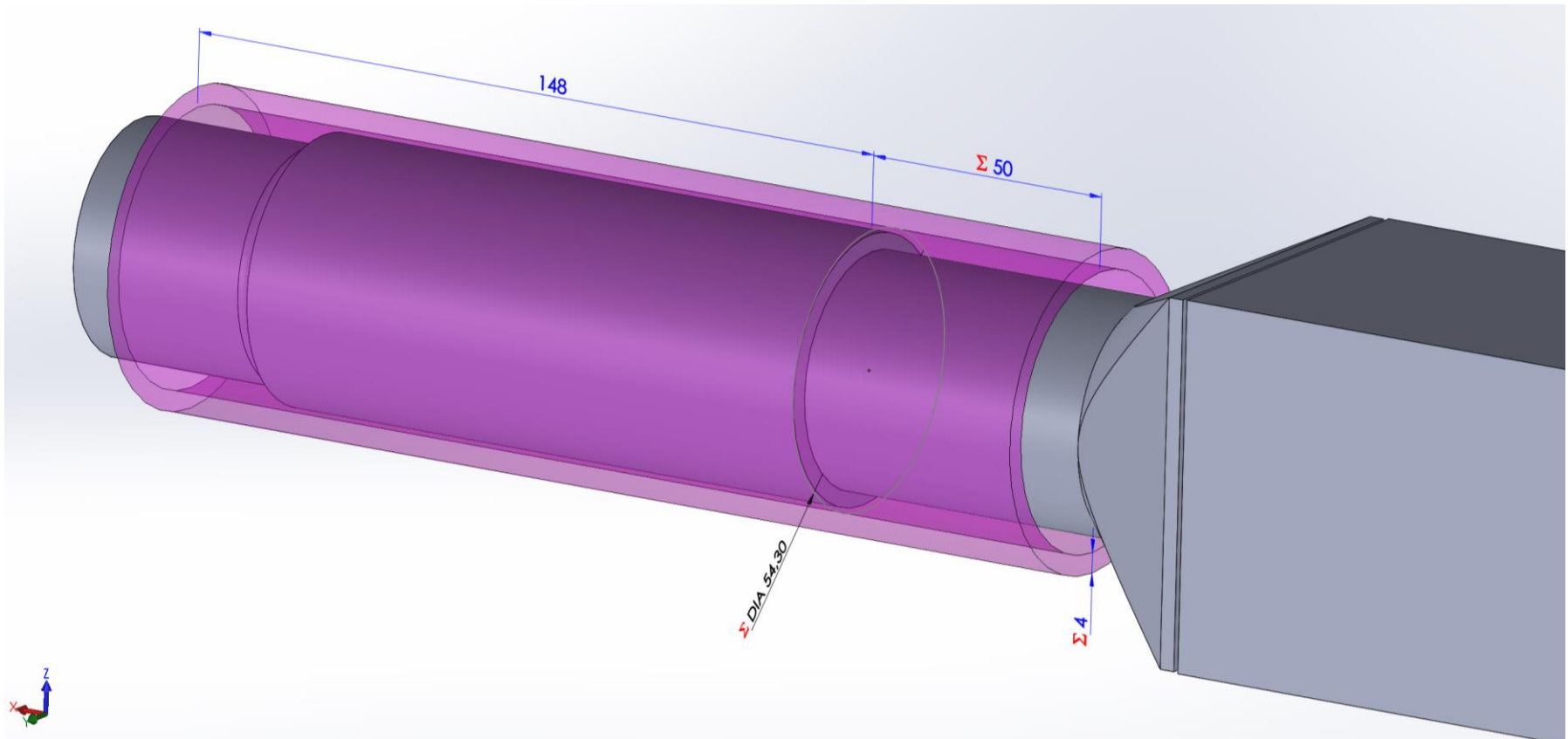
BAND

Mechanical Design

Mu metal & 2 inch PMT

Iñaki
USM
Nov 15th, 2017

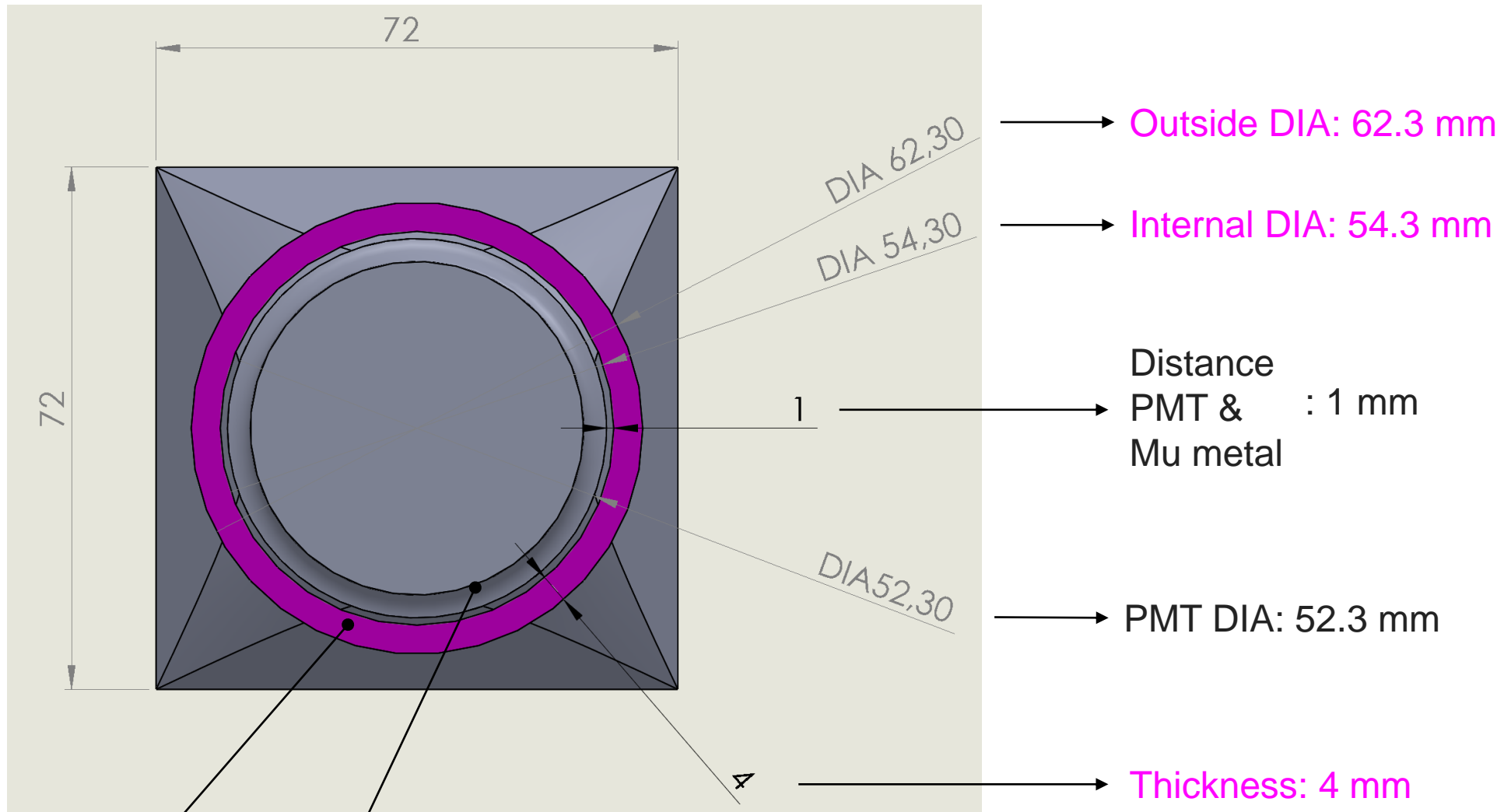
Mu metal



Specs:

- Over all length: 198 mm
- Length over light guide: 50 mm
- Thickness: 4 mm
- Internal DIA: 54.3 mm
- Outside DIA: 62.3 mm

Mu metal & PMT



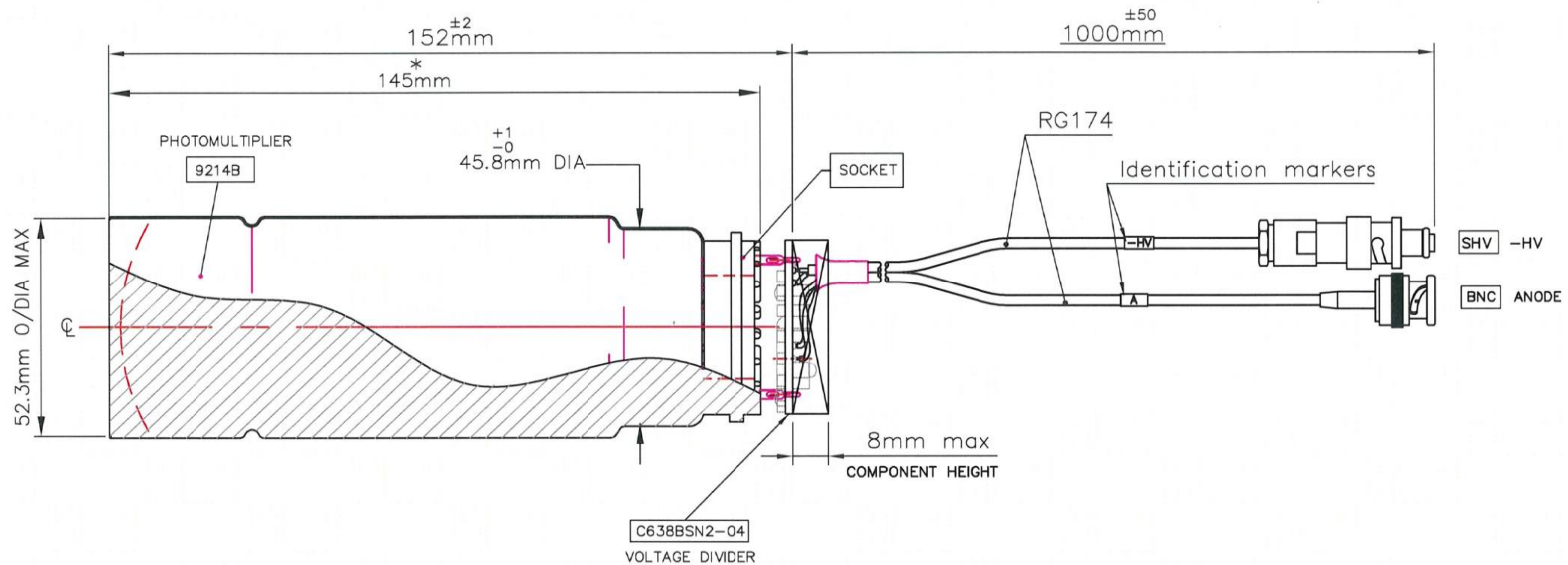
Mu metal

PMT

BACKGROUND

PMT DATA SHEET

ET Enterprises  ET Enterprises Ltd
 45 Riverside Way
 Uxbridge UB8 2YF UK



NOTE:-
 * PVC SHRINK SLEEVING APPLIED OVER THIS LENGTH.

Limits:-				Material	Drawn by TVS	Project 9214V01
DECIMAL DIMENSIONS - ± 0.005 "				Finish	Date 10.10.17	Title SALES DRAWING
FRACTIONAL DIMENSIONS (UP TO 24") - $\pm 1/64$ "				Code No.	Scale 1:1 (A3)	
METRIC DIMENSIONS - ± 0.1 mm	1	10.10.17	CR20010		Checked <i>ASL</i>	Drawing Number 25861C5
SPECIAL LIMITS AS STATED	Issue	Date	C/Note No.	Sign	Approved <i>ASL</i>	

CONFIDENTIALITY NOTICE: THIS DOCUMENT (INCLUDING ALL INFORMATION CONTAINED THEREIN) IS OWNED BY ET ENTERPRISES LTD. AND MUST BE KEPT IN CONFIDENCE AND USED SOLELY FOR THE OWNER'S SPECIFIED PURPOSES. THIS DOCUMENT MUST NOT BE COPIED OR REPRODUCED, NOR DIVULGED, IN WHOLE OR PART, WITHOUT THE OWNER'S PRIOR WRITTEN CONSENT.

THIRD ANGLE PROJECTION 

F/DO007 issue 1