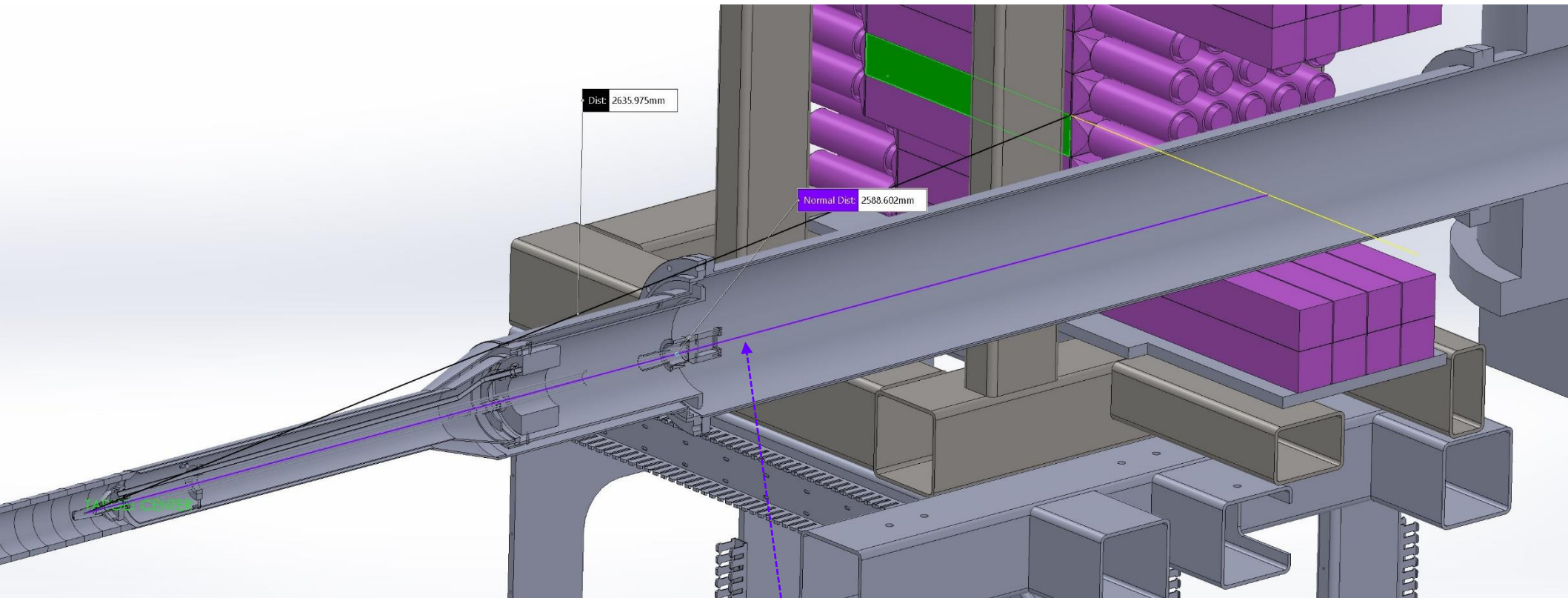


BAND

Mechanical Design

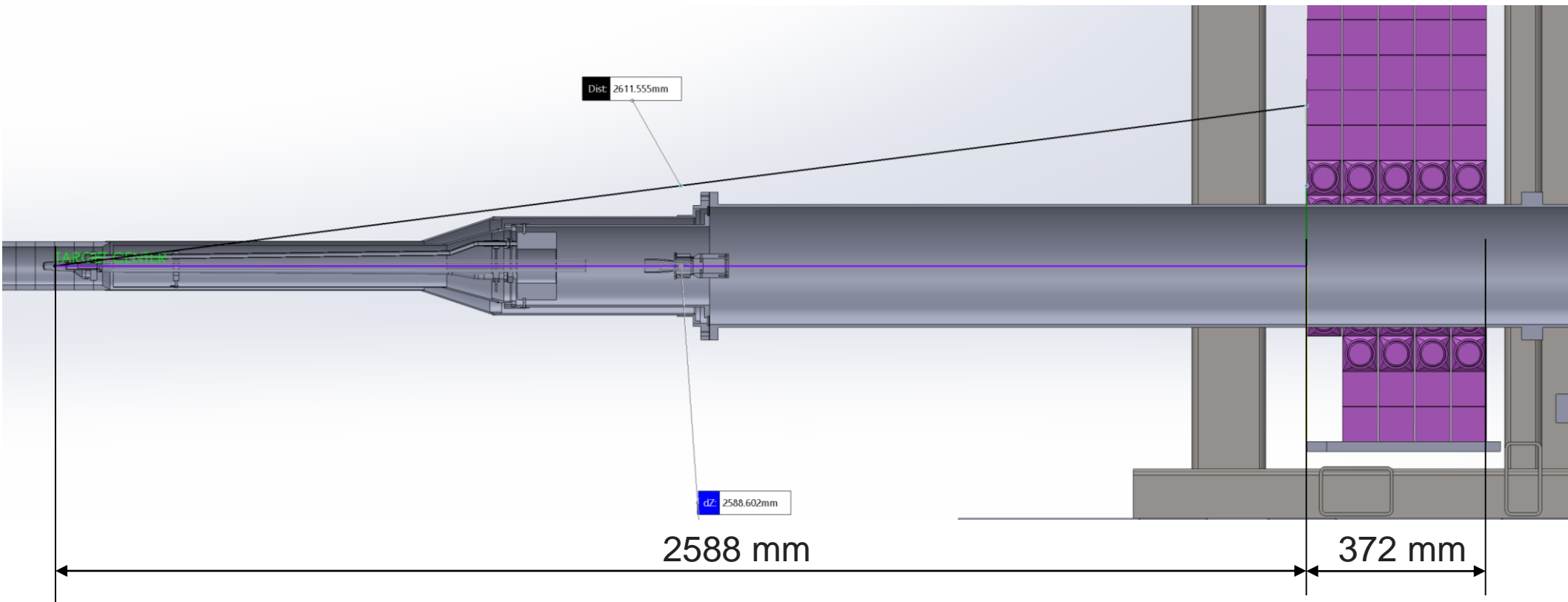
Iñaki
USM
December 13th, 2017

BAND distance from Target Center

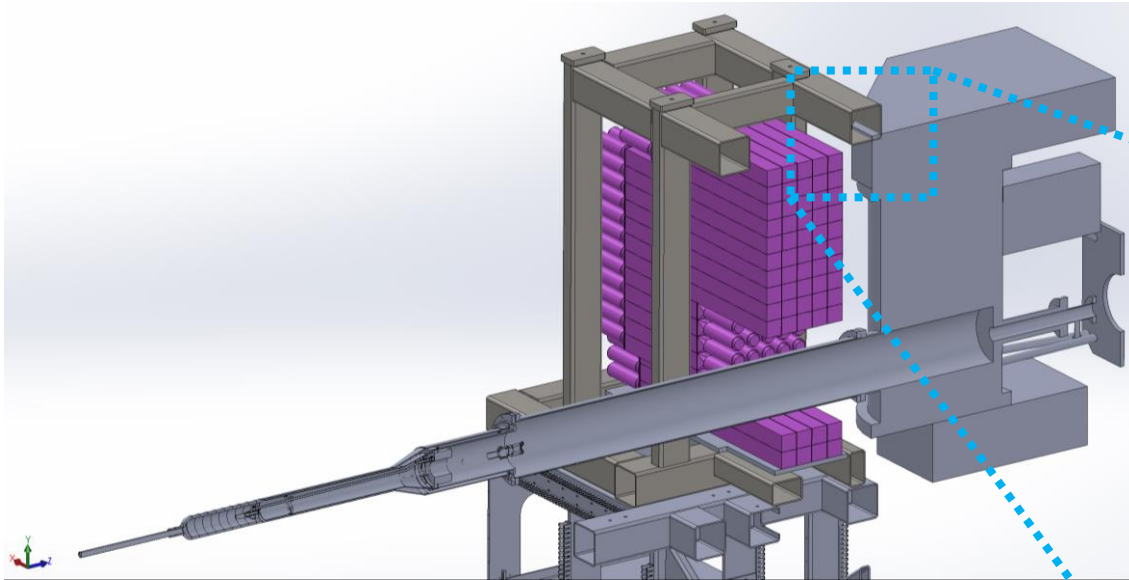


2588 mm, distance along Z axis from Target Center to downstream side of BAND

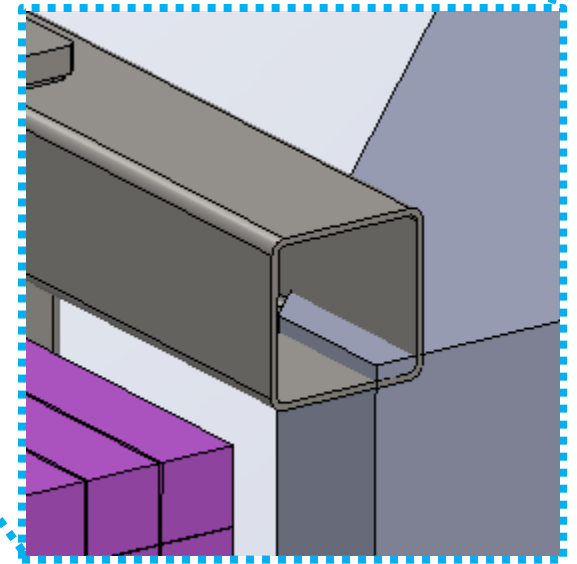
BAND distance from Target Center



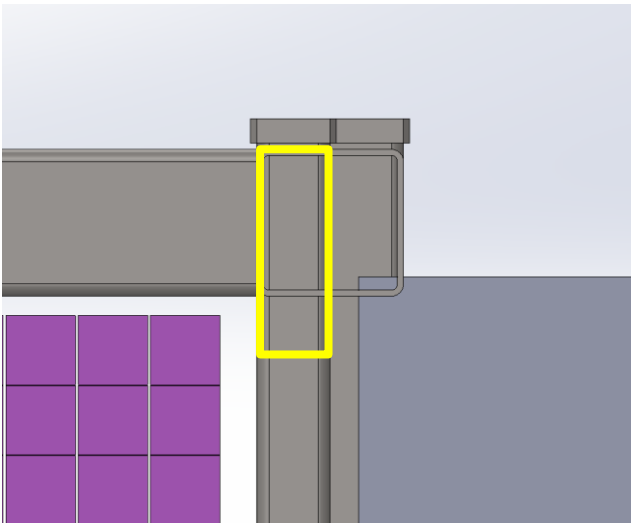
Interference between BAND structure and BOX BLOCK over SACLAY



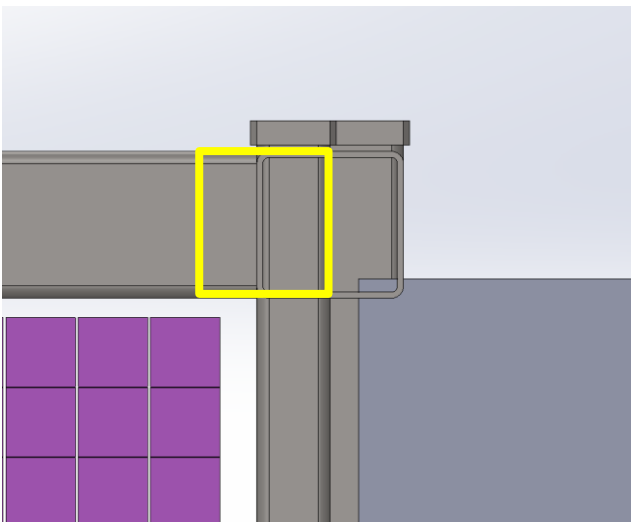
Box block on
SACLAY



Possible solution to correct the interference



Change the beam profile 4"x 4" to 6"x2"



Move the 4"x 4" beam profile

Background

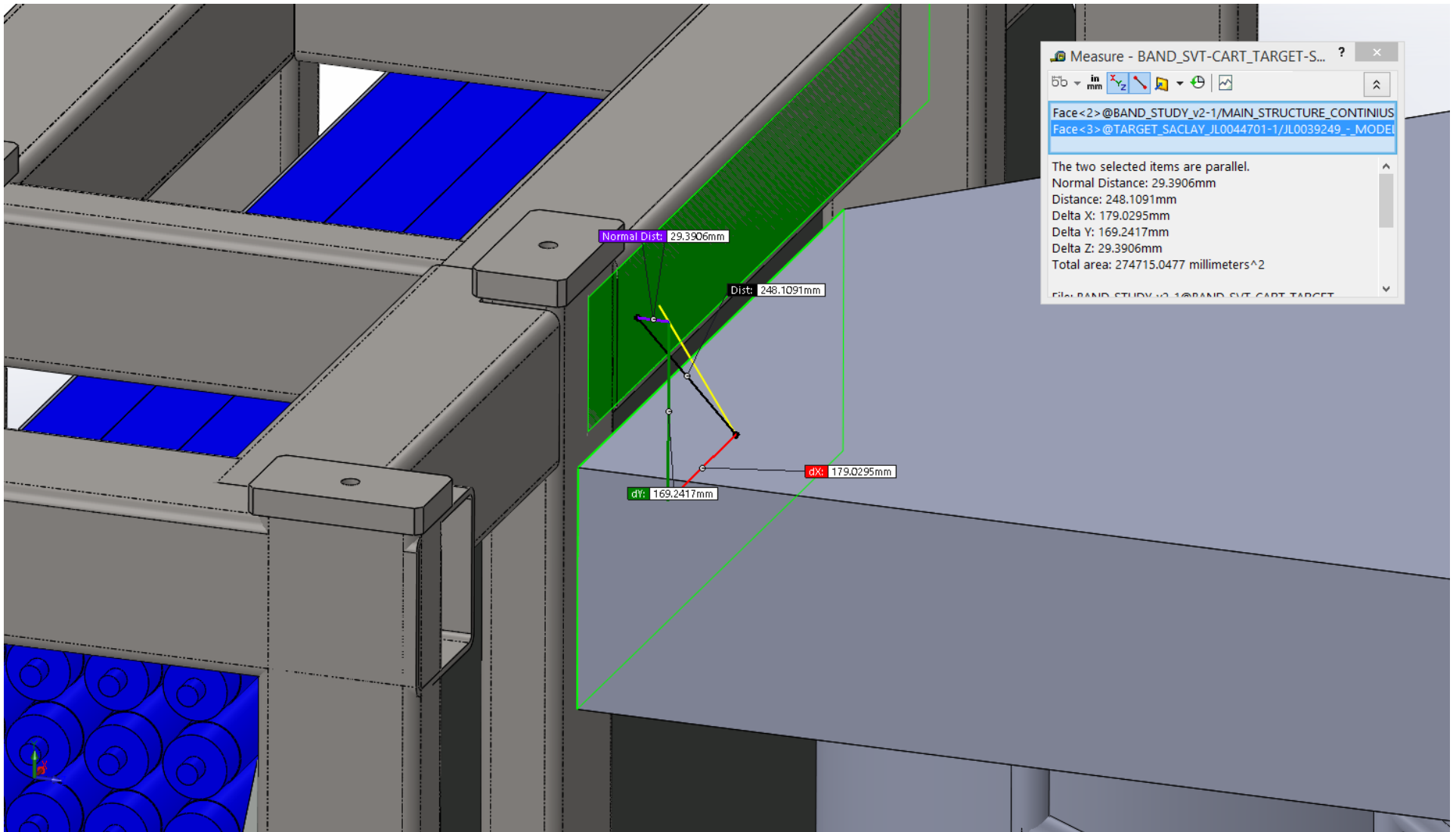


Image from BAND ASSY, June 8th, 2017

NX image

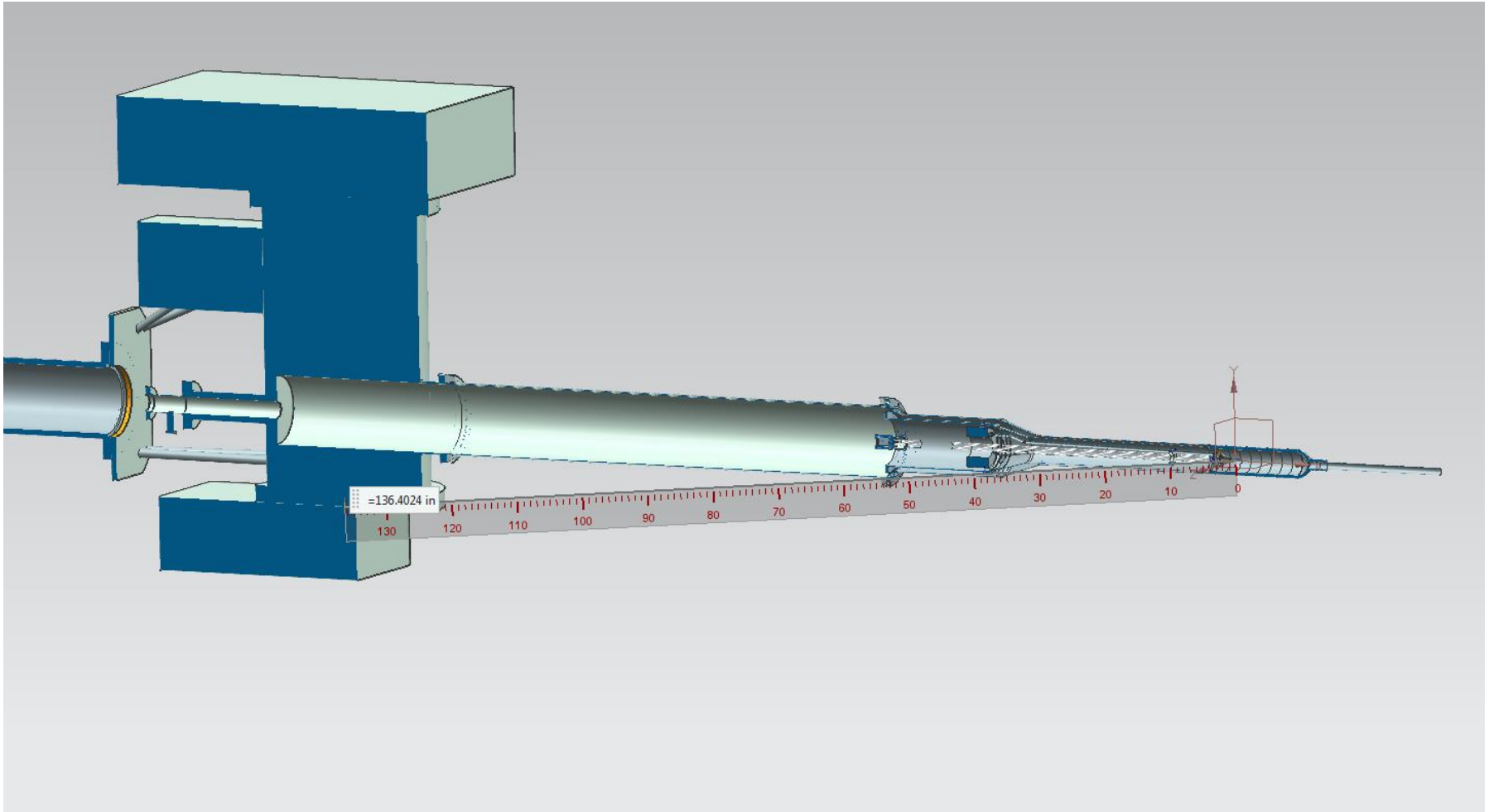
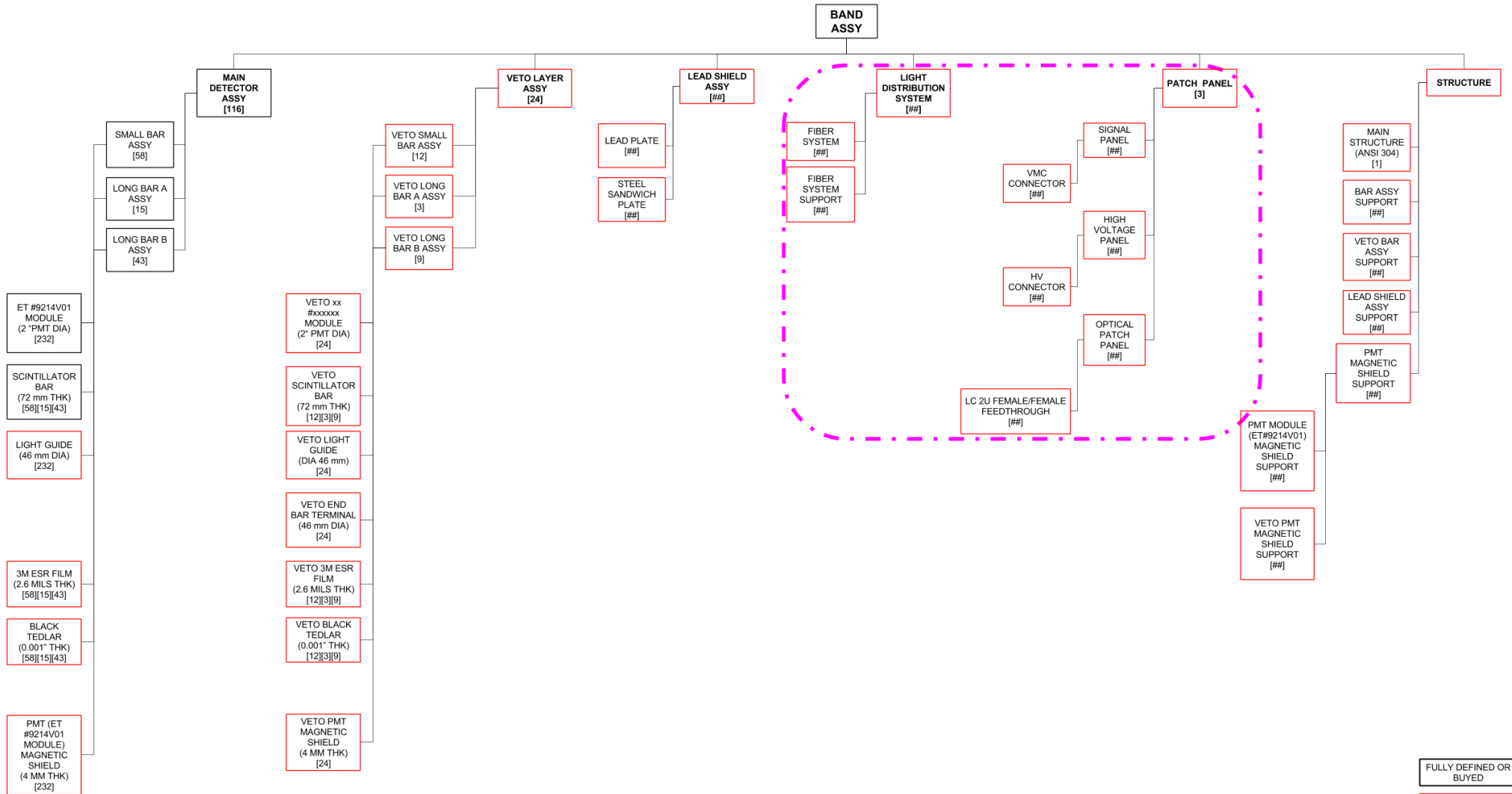


Image provided by Jlab, June 8th, 2017

Main BAND Parts



FULLY DEFINED OR BOUYED

NOT YET DEFINED

[QTY.]
(INFORMATION)