

Trigger logic (front)

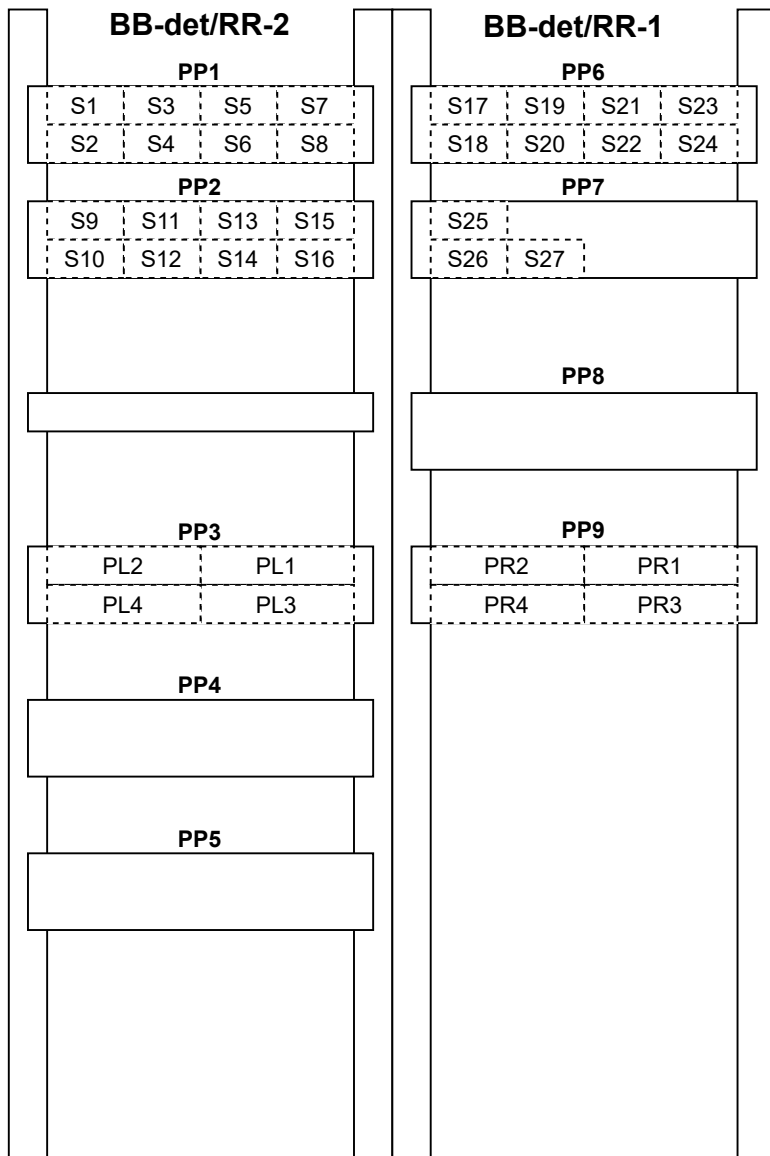


For back patch panels, check back scheme

Trigger logic (back)

Preshower: 8 bundles labelled PL1, 2, 3, 4, PR1, 2, 3, 4, of 8 cables

Shower: 27 bundles labelled S1, S2, ..., S27 of 8 cables



Both schemes assume one is facing the side of the patch panels
showing the BNC knobs

The 8 cables of a bundle go, on each side, to the area indicated on the drawing.
Inside this area, cables go by increasing order right -> left, top -> bottom

