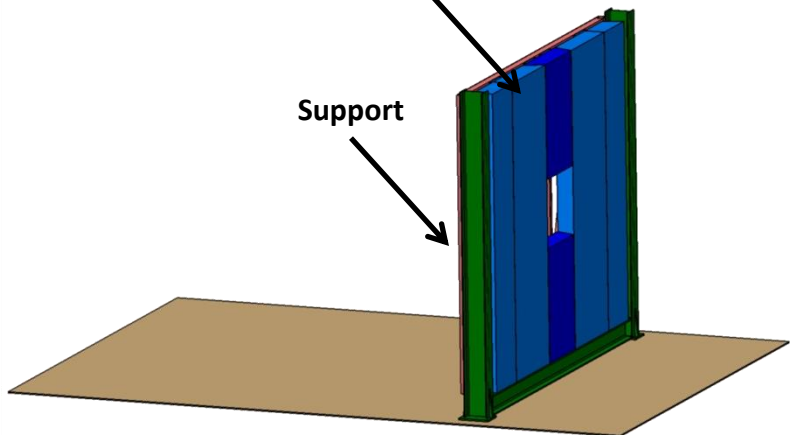


Tracking Chambers for SOLID

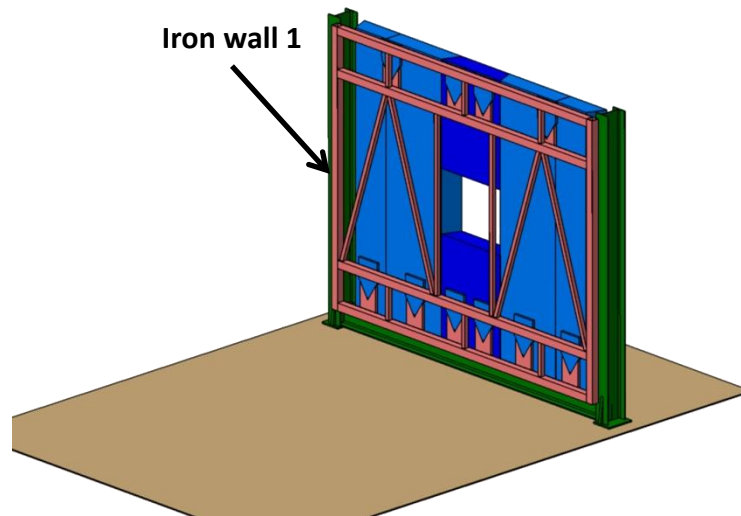
IPNO – 26/04/2016

Iron wall 1

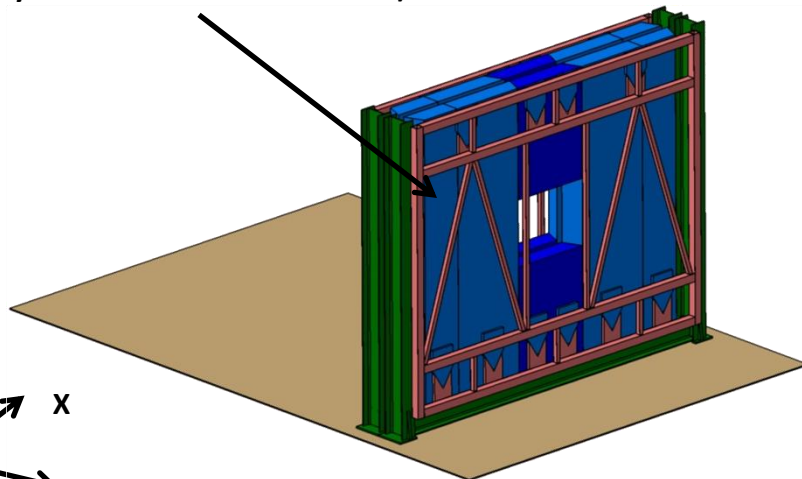
Support



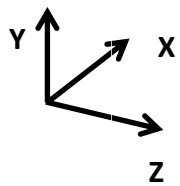
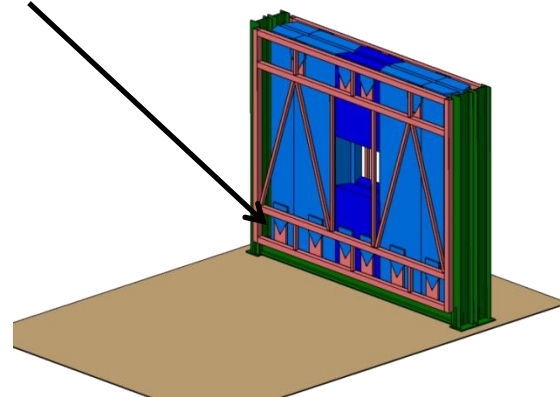
Iron wall 1

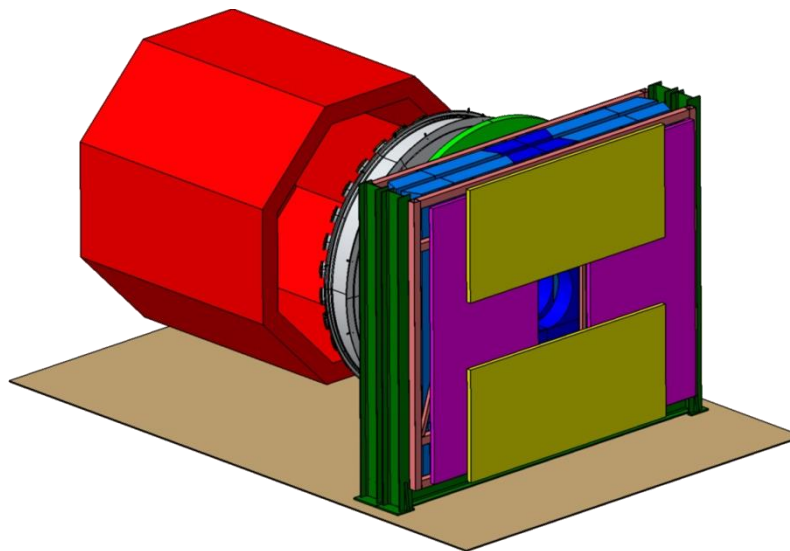
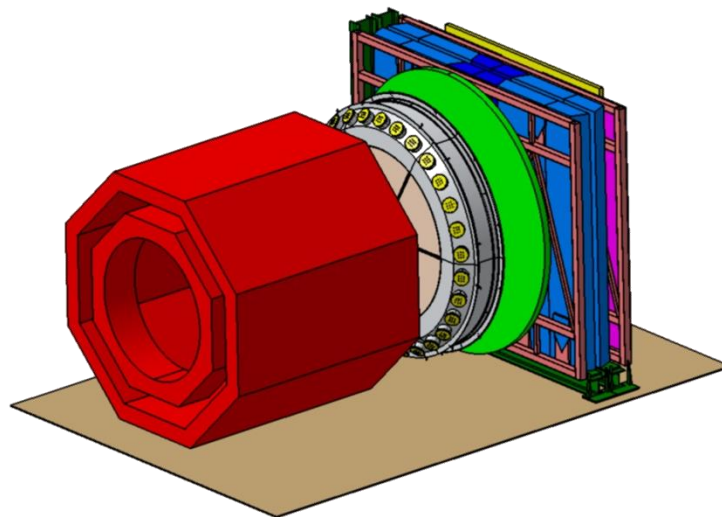
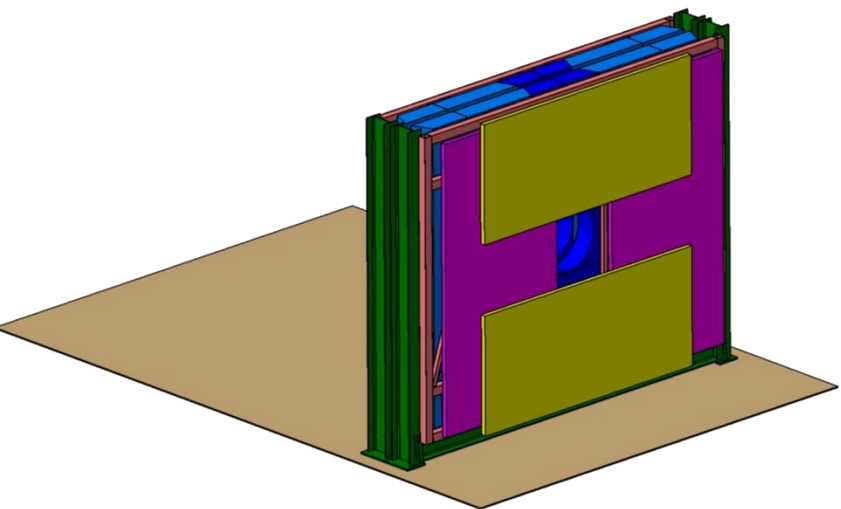


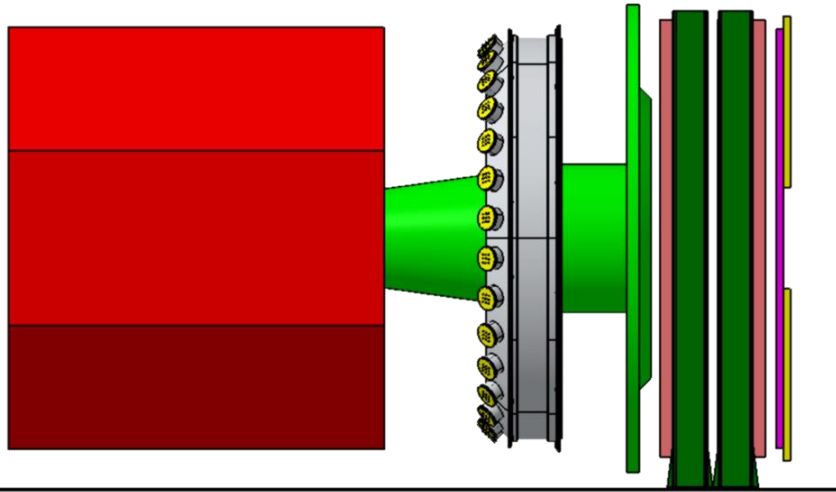
Iron wall 2
(symmetrical to the Iron wall 1)



Iron wall







Gap Iron wall 2 / 1st chamber = 345 mm

Gap Iron wall 1 / Iron wall 2 = 125 mm

Gap Cleo Nose / support = 110 mm

