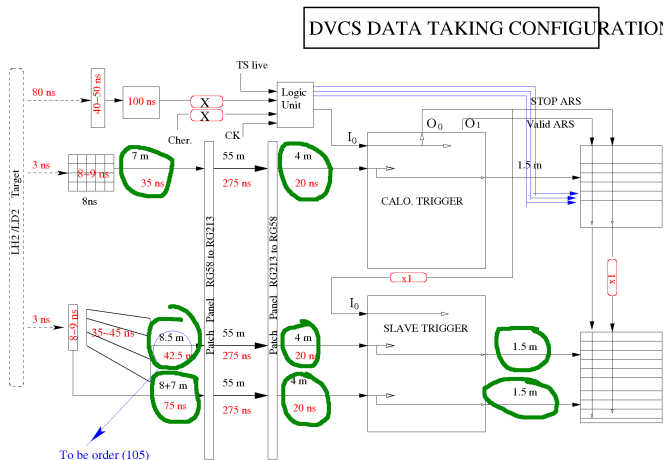


Cables inventory and tests



- Cables in green tested and individually sorted (only a few (~ 5) lemo connectors to repair)

Beam energy runplan

Beam energy runplan submitted to Kees:

Calendar days	Kinematic setting	# of passes	Beam energy (GeV)
2	1/2 of Kin 3 high energy	5	6.00
1.5 + 9	1/2 of Kin 2 + 1/2 of Kin 2 neutron high energy	5	6.00
1	1/2 of Kin 1 high energy	5	6.00
4 + 9	1/2 of Kin 2 + 1/2 of Kin 2 neutron low energy	4	4.82
7	1/2 of Kin 3 low energy	4	4.82
5	FULL Kin 1 low energy	3	3.64
7	1/2 of Kin 3 low energy	4	4.82
4 + 9	1/2 of Kin 2 + 1/2 of Kin 2 neutron low energy	4	4.82
1	1/2 of Kin 1 high energy	5	6.00
1.5 + 9	1/2 of Kin 2 + 1/2 of Kin 2 neutron high energy	5	6.00
2	1/2 of Kin 3 high energy	5	6.00

Table: Proposed runplan

Begin date	End date	# of passes	Beam energy (GeV)	Notes
Sep 6	Sep 30	5	6.00	Includes commissioning
Oct 1	Oct 20	4	4.82	
Oct 21	Oct 26	3	3.64	
Oct 27	Nov 16	4	4.82	
Nov 17	Dec 7	5	6.00	Includes thanksgiving downtime

Plan for the week

- ▶ Finish counting/testing cables
 - ▶ Setup ethernet (& phone) and slow control rack in Test Lab
 - ▶ Start setup for block wrapping in Laser Room.
-
- ▶ Submit π^0 paper