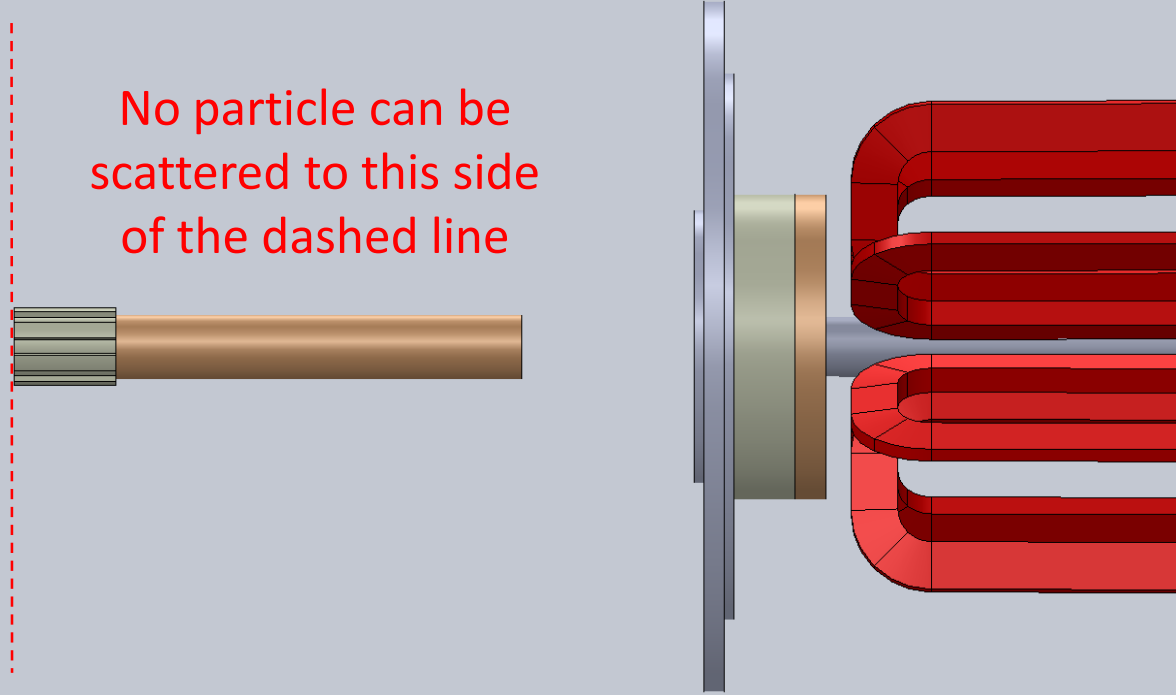
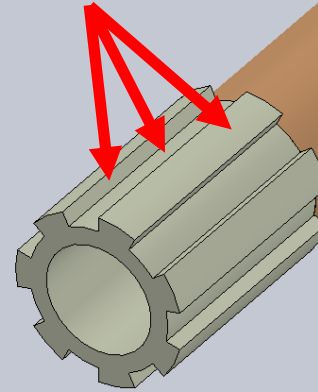


Front face is visible to target

It is impossible for a single-bounce particle to pass through the acceptance-defining collimator

These faces are not visible to target



No particle can be scattered to this side of the dashed line