

Summary of last week activities

Status of the MPD readout

- I Did not manage to understand / fix the problem with the 3 INFN MPDs modules
- Replace these INFN MPDs by UVa MPDs. In total we have 4/5 (exact number to be checked) UVa MPDs are used in the VME crates
 - we already swapped 1 or 2 a few weeks ago when Leo was here
- Suggest to send back all non working INFN MPDs (at least 5) to Paolo to investigate the issue
- Now all 12 MPDs can be configured properly except for a set of consecutive 5 ADC channels
 - Probably connection on 5 slot back plane (need to check it again)
- Confirmation that for J0, because it is using the flex back plane version 1, with the new HDMI 1-to-1 connection (bypassing the patch panel) we are going to systematically loose one APV channel (the one connected to ic2 channel 4)
 - But it is OK for now, later these old version of flex backplane will be replaced by the second generation that avoid the problem

Summary of last week activities

Set up the cosmic trigger scint /PMT

- Re-arrange and check all the cabling HV and signal
- One scintillator / PMT bar out of 4 on the bottom plane was removed
 - The PMT was broken, we will replace it but for now we can work fine with 3 bars
- New cabling and mapping can be seen in the backup slides
 - This is just for documenting
- Optimize the trigger rate with the help of Bogdan
 - Cosmic trigger rate is $\sim 8\text{Hz}$ which is great for when we start taking data

Status of the GEM HV power supply

- I got some assistance from Alexandre to setup the control of the mini crate for the INFN CAEN HV PS
 - But only 6 channels available right now, the second module is not working ditto Alex, will send it back to CAEN
- I will borrow for now UVa CAEN NIM module that is being used in Hall D for our GEM TRD test
 - We completed the test of the GEM TRD so the module would be available it has 4 channels
 - We should be able to settle everything to readout all 3 INFN GEM layers this week

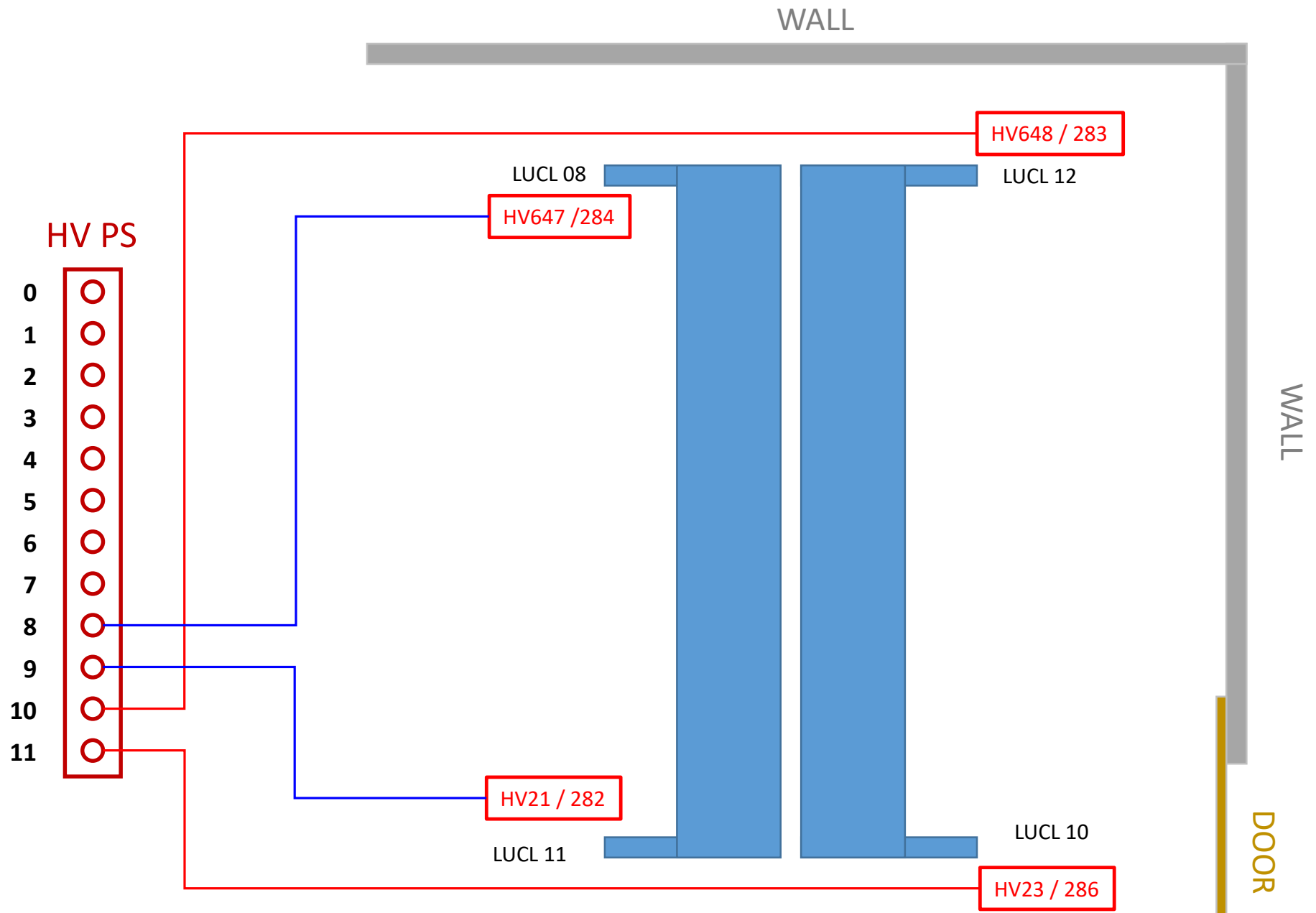
Summary of last week activities

We are basically ready to get started

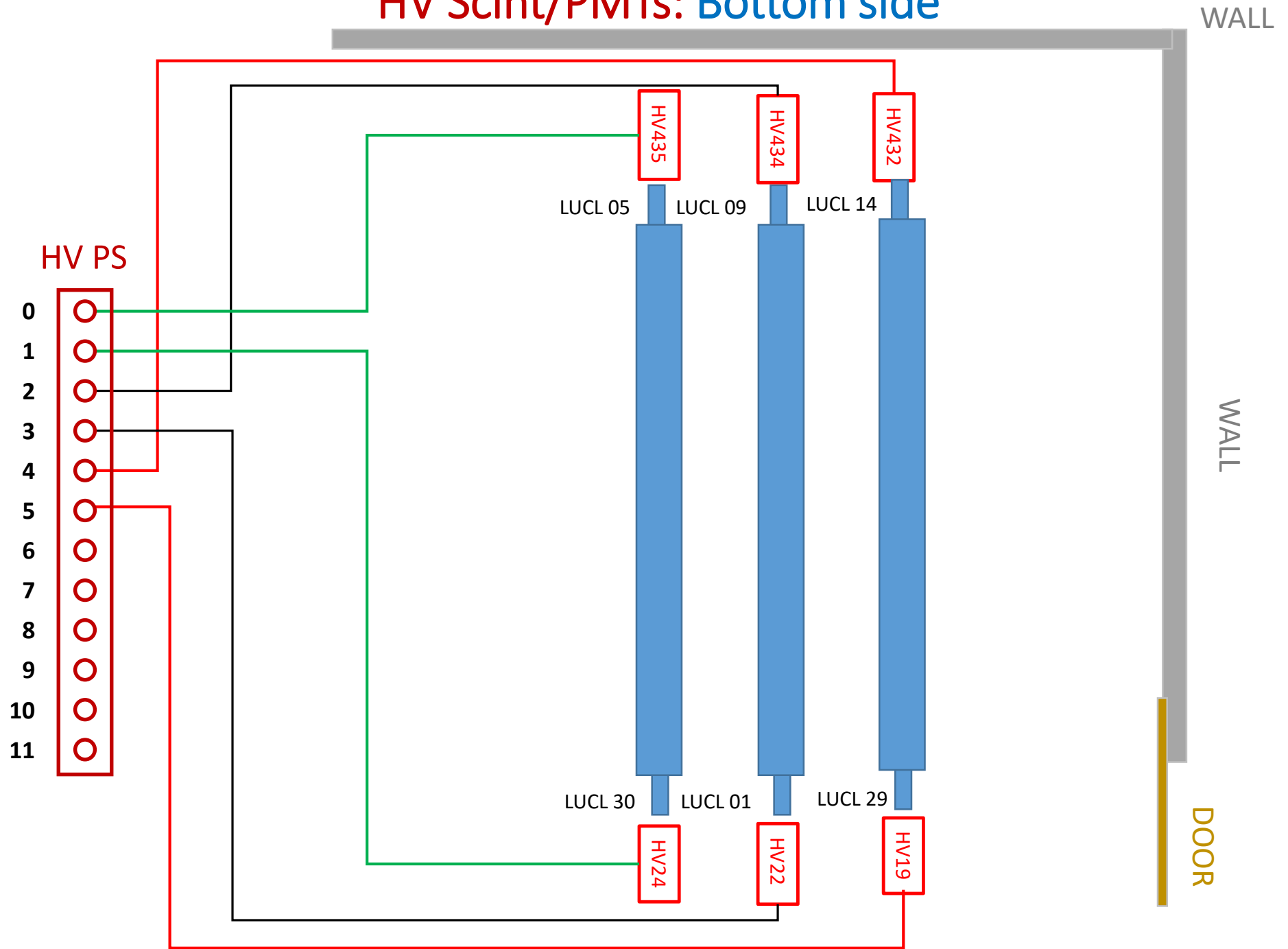
- I will hook up the gas this afternoon in the 3 chambers
 - Do I need any specific instruction from you, Evaristo about the gas?
- I Will run some pedestal and raw data test to evaluate the data quality of all connected t APVs
- Expect full mode cosmic data taking by Wednesday if I don't run into additional unexpected problem

Backup

HV Scint/PMTs: All 4 top side



HV Scint/PMTs: Bottom side



Signal mapping of the Scint / PMTs:

