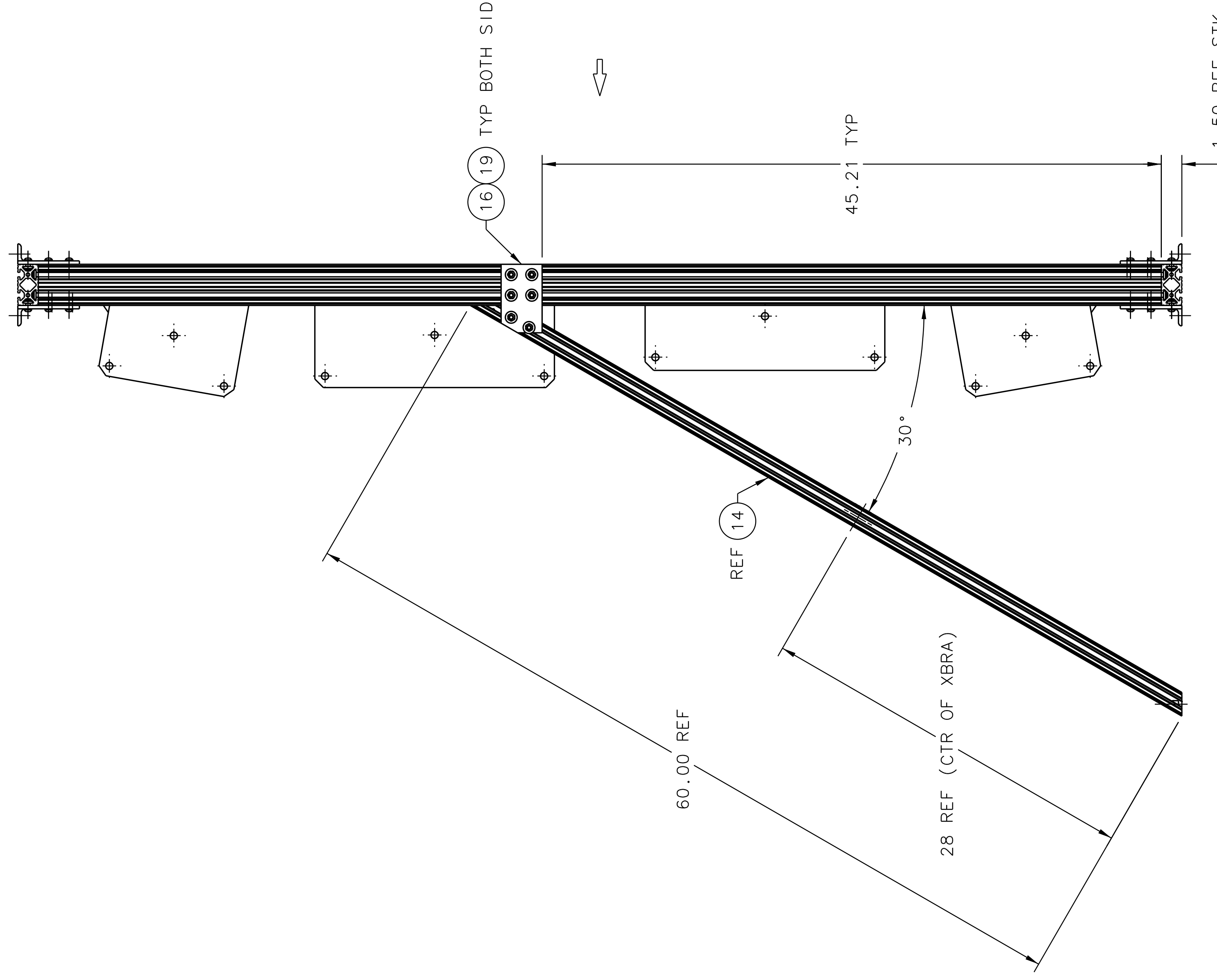


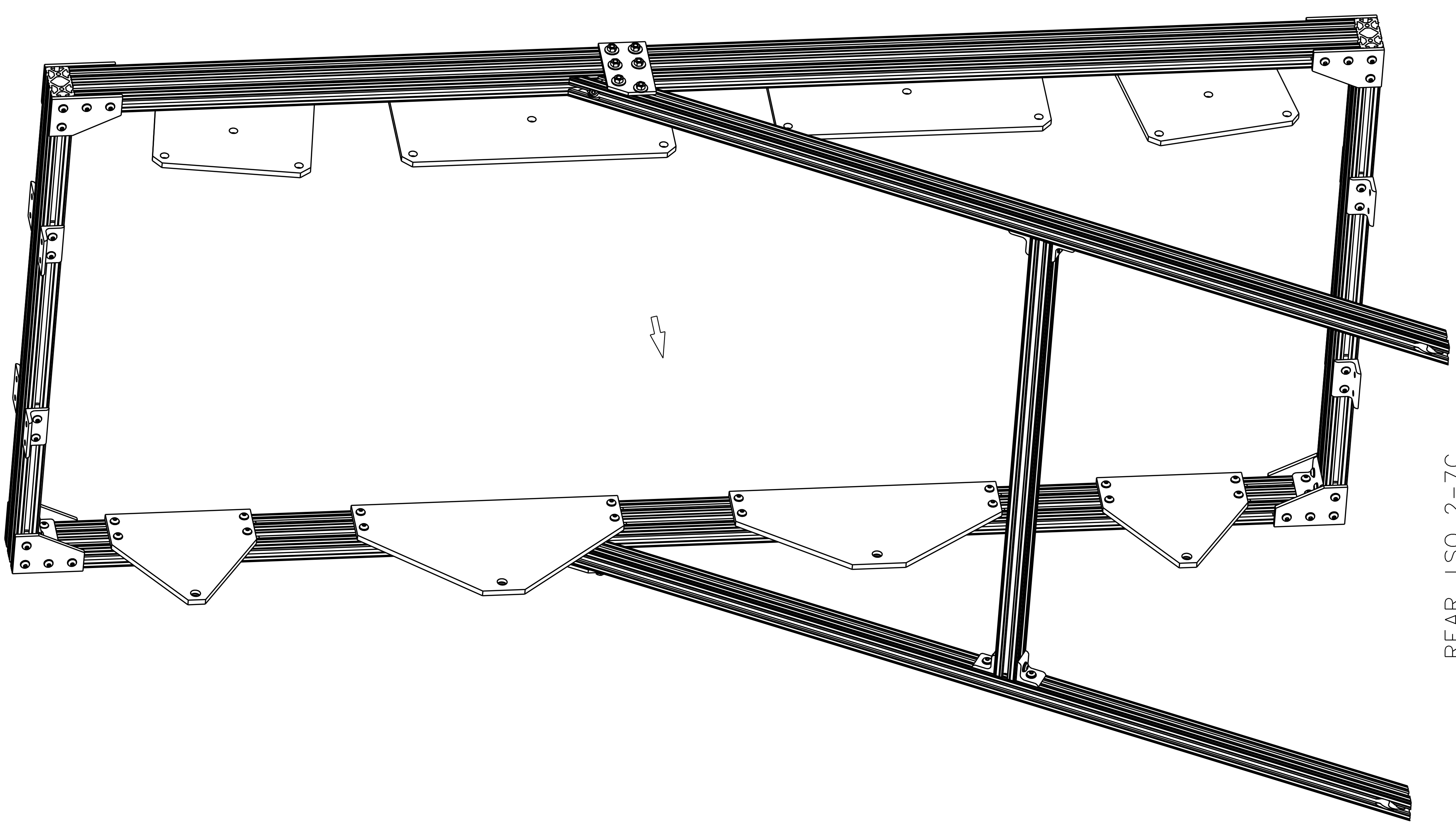
REAR VIEW 2-7D

SCALE 3:16
(TEMPORARY / REMOVABLE SUPPORTS SHOWN)
(LOOKING UPSTREAM)



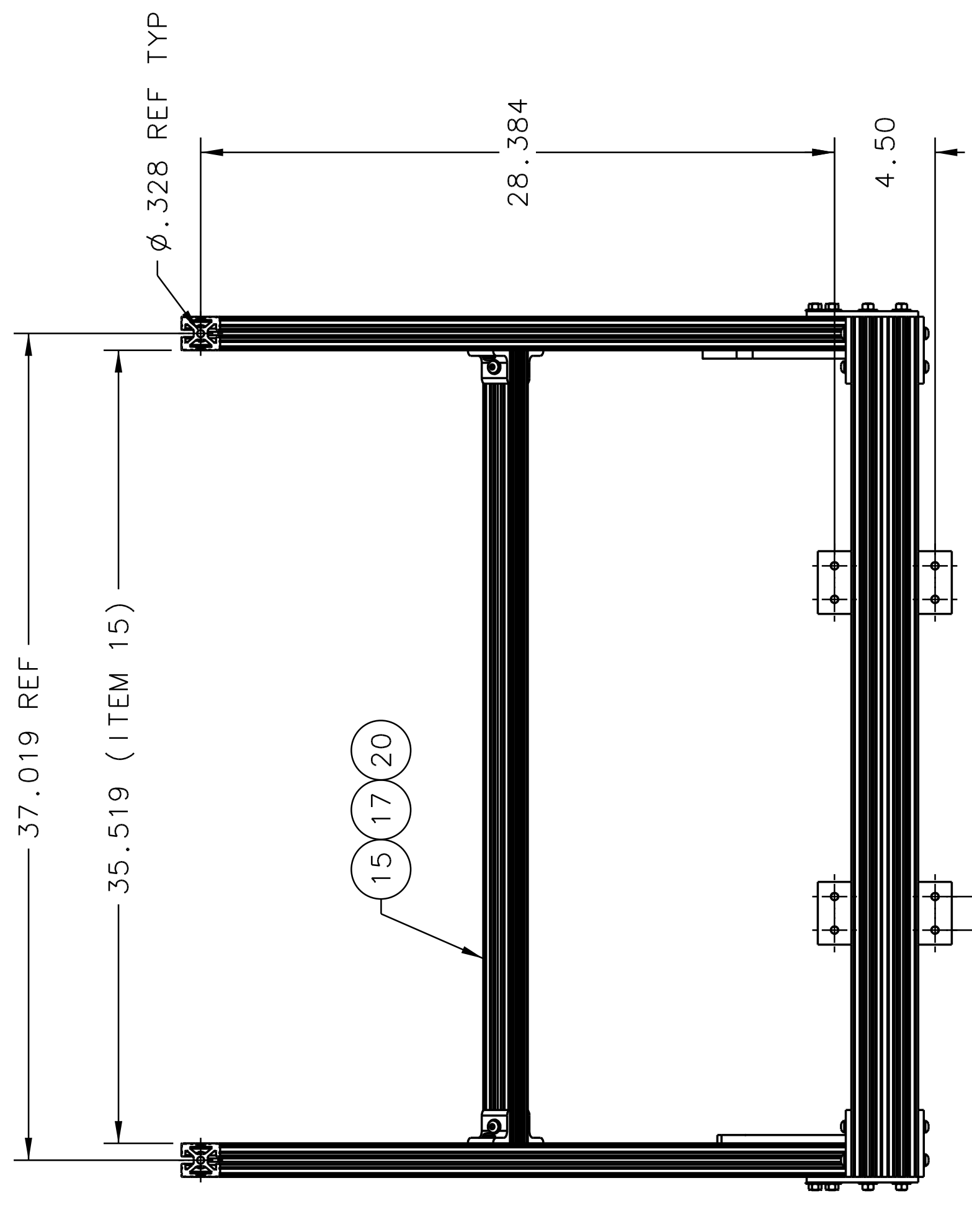
SIDE VIEW 2-5D

SCALE 3:16
(TEMPORARY / REMOVABLE SUPPORTS SHOWN)



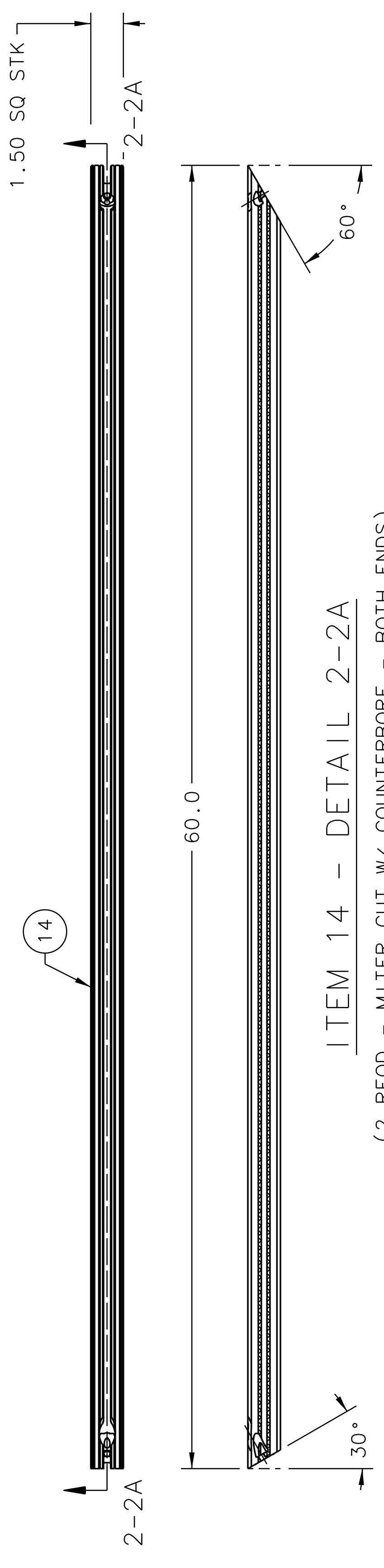
REAR ISO 2-7C

(TEMPORARY / REMOVABLE SUPPORTS SHOWN)



BOTTOM VIEW 2-7A

SCALE 3:16
(TEMPORARY / REMOVABLE SUPPORTS SHOWN)



ITEM 14 - DETAIL 2-2A

(2 REOD - MITER CUT W/ COUNTERBORE - BOTH ENDS)
WEIGHT APPROXIMATELY 7 LBS EACH.

DOCUMENT CONTROL STAMP	SIZE	DWG. NO.	REV.
	E	A00000-01-01-2700	-
	SCALE	1:4	FOR W/ST W/ A0000-01-2300 SHEET 2 OF 2