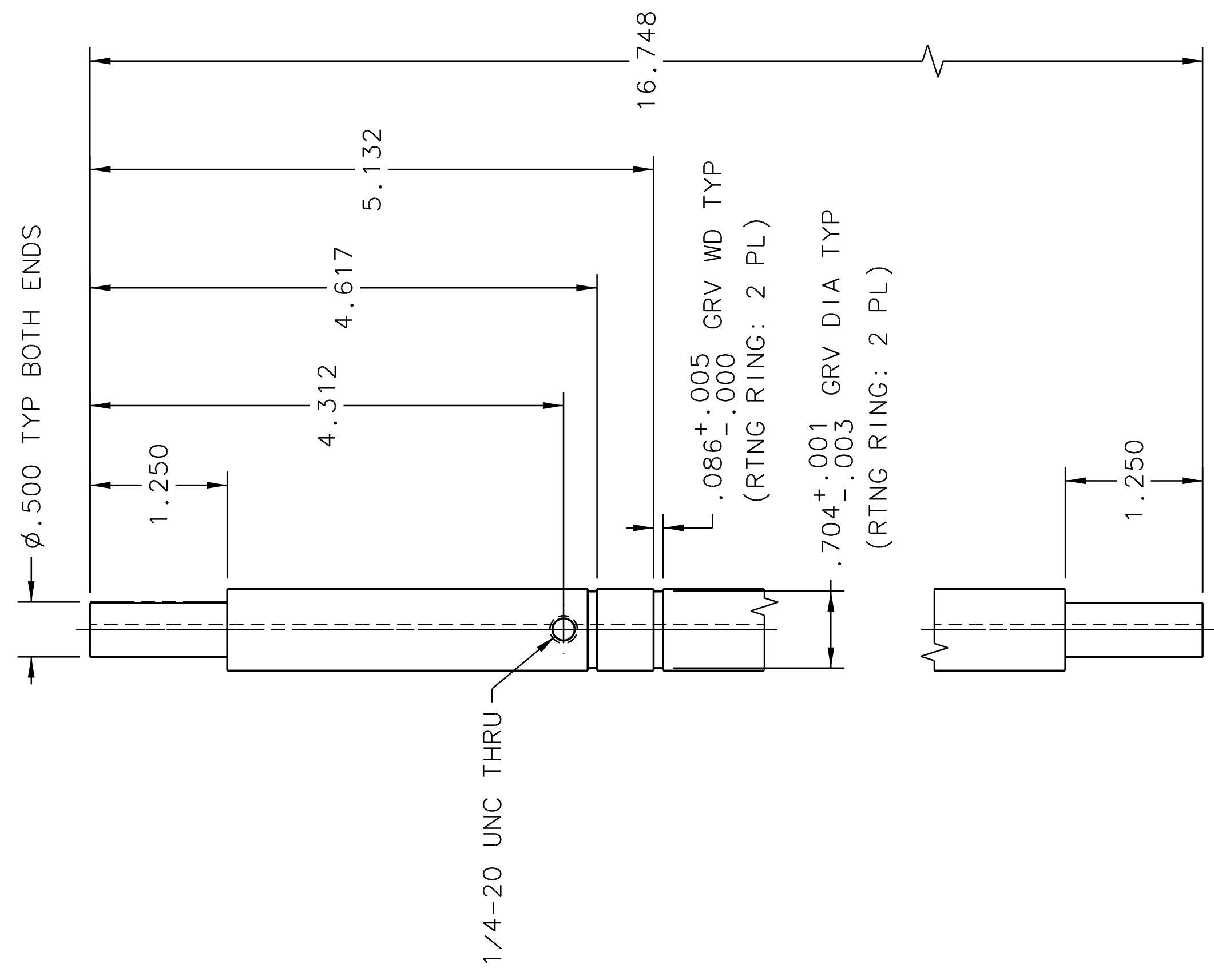
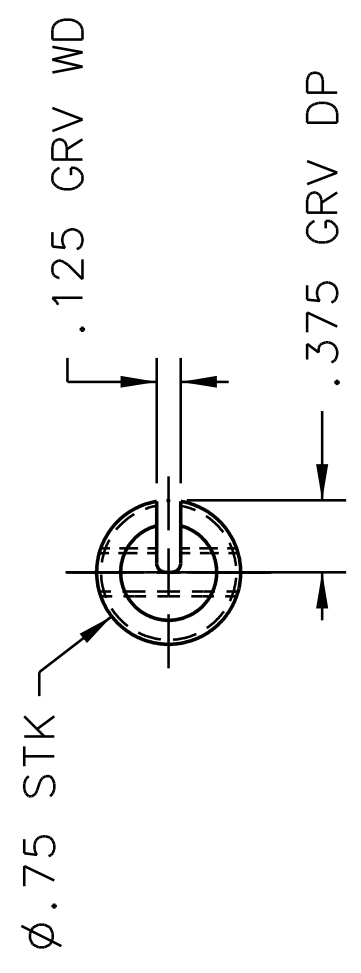


REVISION HISTORY		ZONE	REV	DESCRIPTION	DATE	APPROVED
1						



NOTES:

1. PART TO BE CONDITIONED FOR SAFE HANDLING.
2. REMOVE ALL BURRS AND SHARP EDGES.
3. WEIGHT IS APPROXIMATELY 1/2 LB.

DOCUMENT CONTROL STAMP	DIM & TOL PER ASME Y14.5 UNLESS OTHERWISE SPECIFIED DIMENSIONS ARE IN INCHES TOLERANCES ARE:		TRACKING NO. N/A	DATE 03 OCT 13	United States Department of Energy	Jefferson Lab Thomas Jefferson National Accelerator Facility	Newport News Virginia
	FRACTIONS ± N/A						
MATERIAL 6061-T6 ALUMINUM ROUND	THIRD ANGLE PROJECTION		DRAWN S. ESP		HALL A - GENL EQUIPMENT		
FINISH MACHINED SURFACES DEBURR & BREAK ALL SHARP EDGES	UNLESS OTHERWISE NOTED		CHECKED		GRINCH DETECTOR ASSY		
DO NOT SCALE DRAWING	DO NOT SCALE DRAWING		APPROVED		SMALL REFLECTOR ASSY		
			APPROVED		ROUND 3/4 OD SM REFL HOLDER		
					SIZE DWG. NO. C	A00000-01-01-2602	REV. -
					SCALE	1:1	USED DWG ASSY NO. A00000-01-01-2600 SHEET 1 OF 1