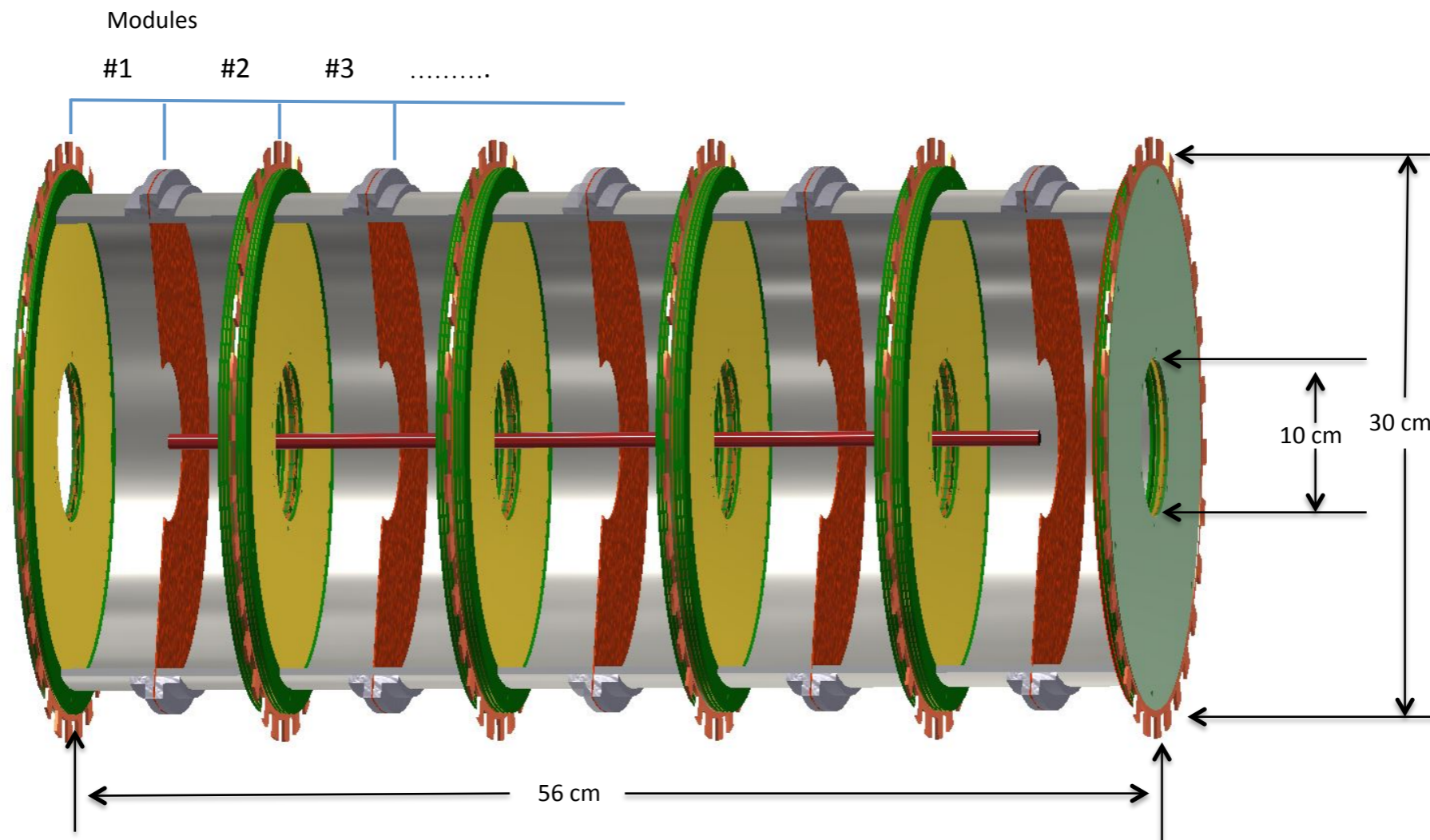


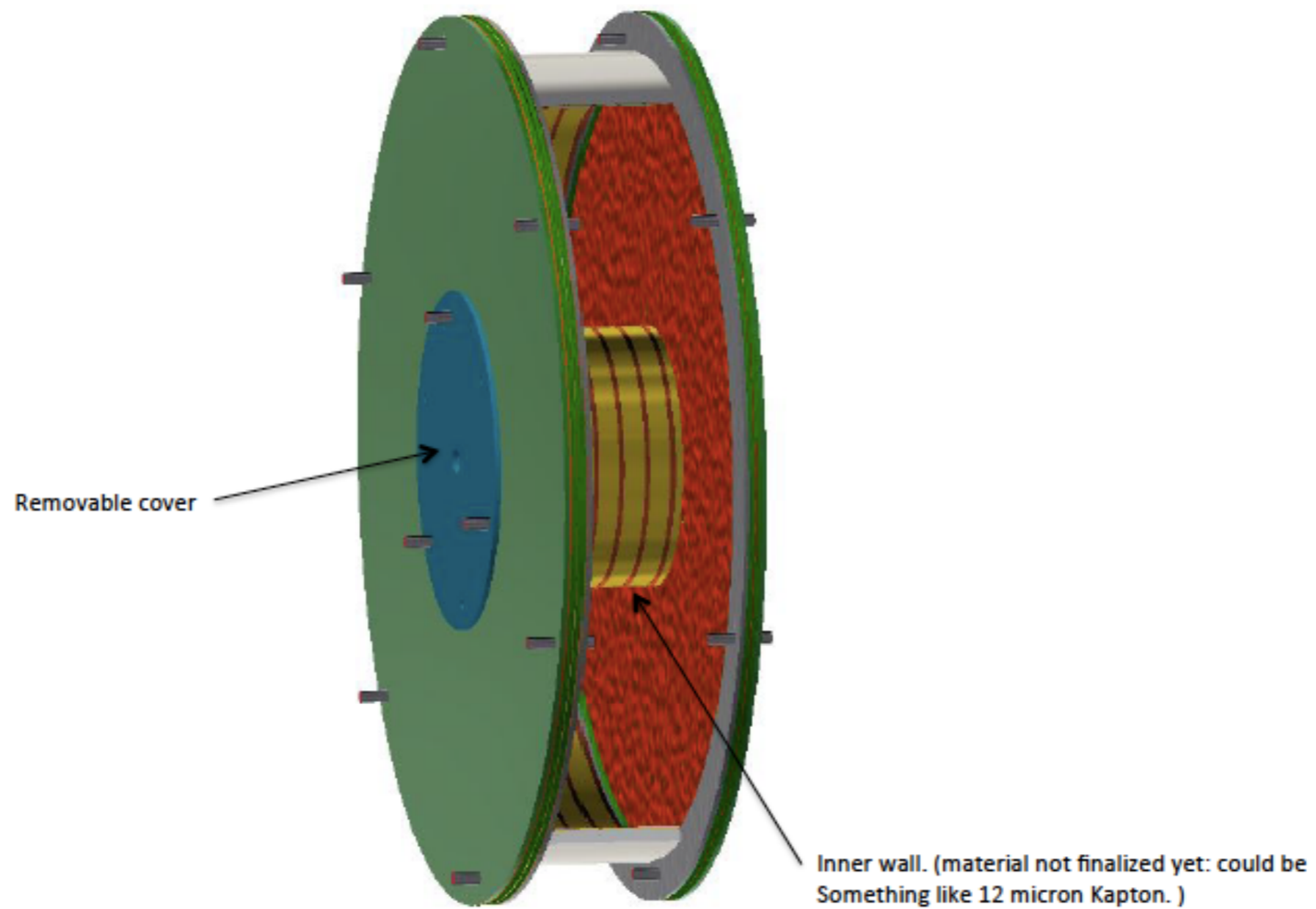
# TDIS Target design

Adapting the target design to the new detector concept

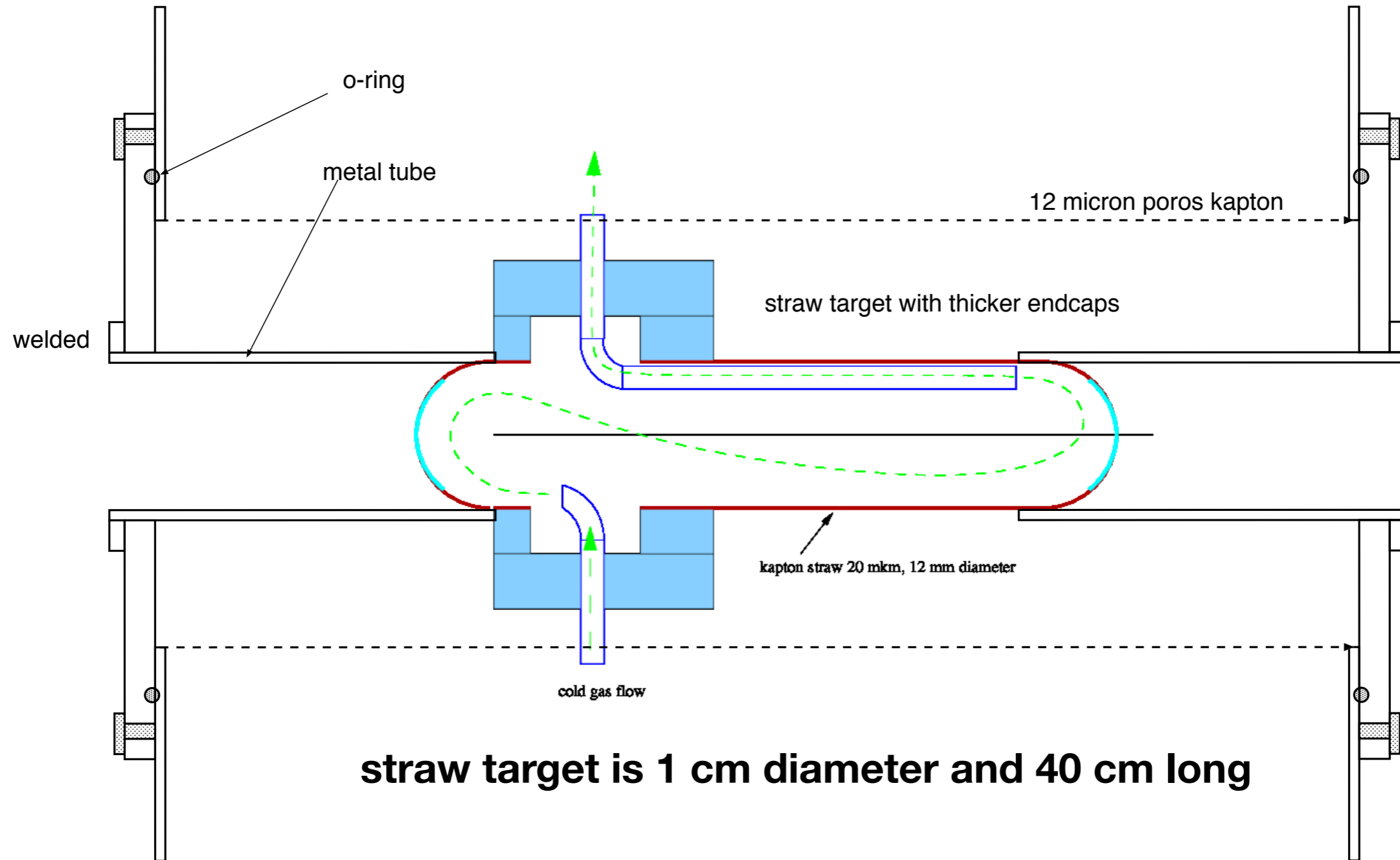
Conceptual design for the full mTPC



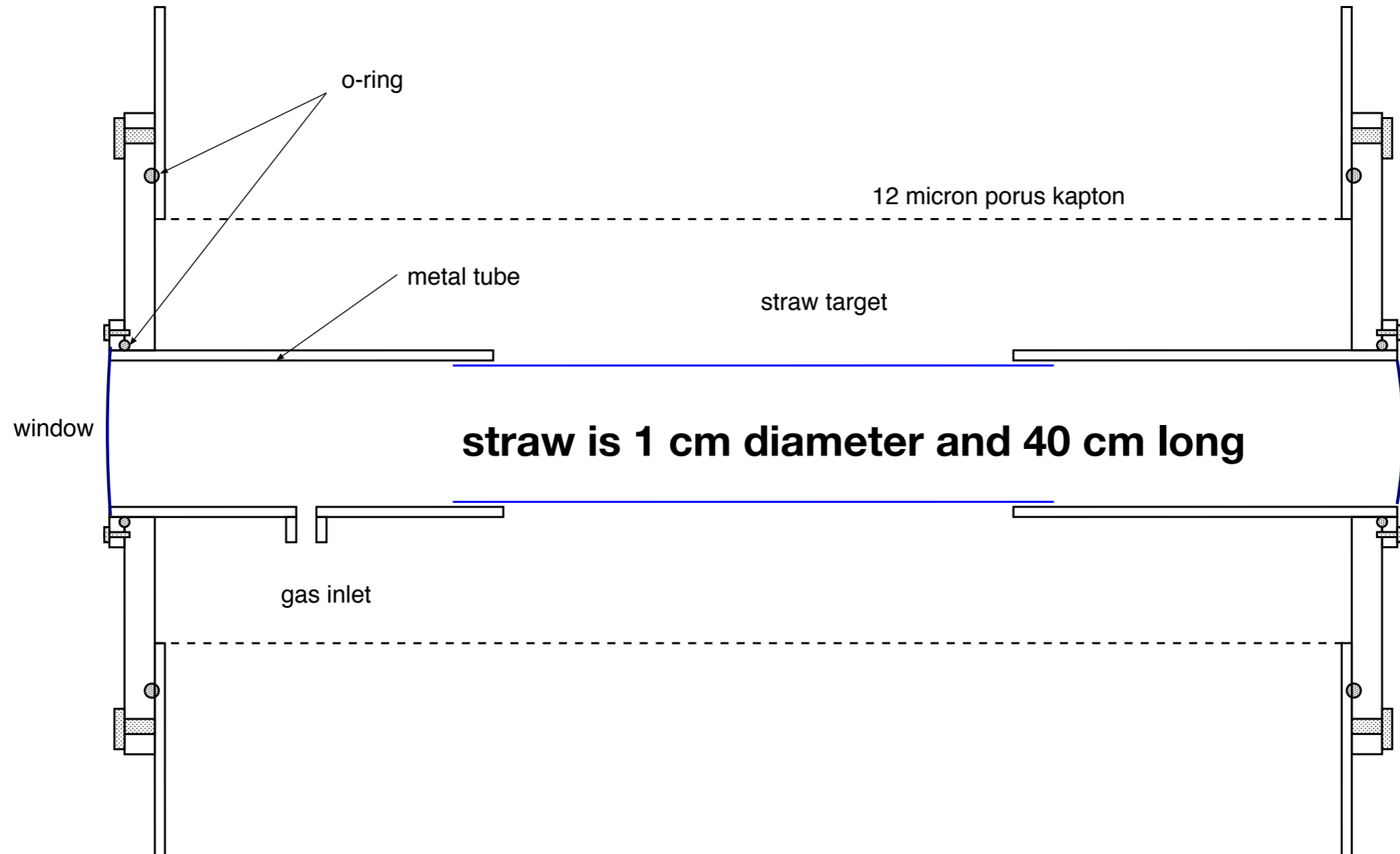
## A single module



# Target concept - I



## Target concept - II



**Vendors found for : 0.5 cm diameter and 20 um wall thickness (kapton)  
or 1.0 cm diameter and 40 um wall thickness (kapton)**

# **Next Steps**

- 1. Procure Kapton straws**
- 2. Setup test stand to pressure test straw tubes**

**Test the pressures the straws tubes can withstand.**

**Test the tension needed to hold straw straight under pressure**