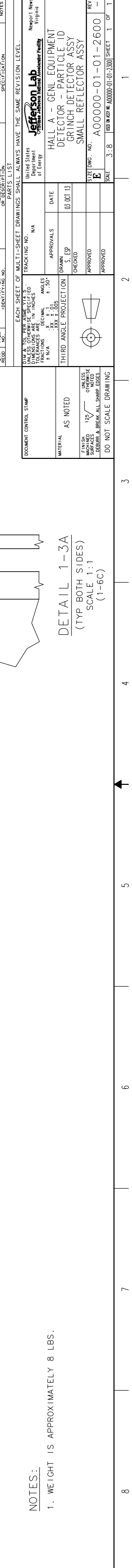
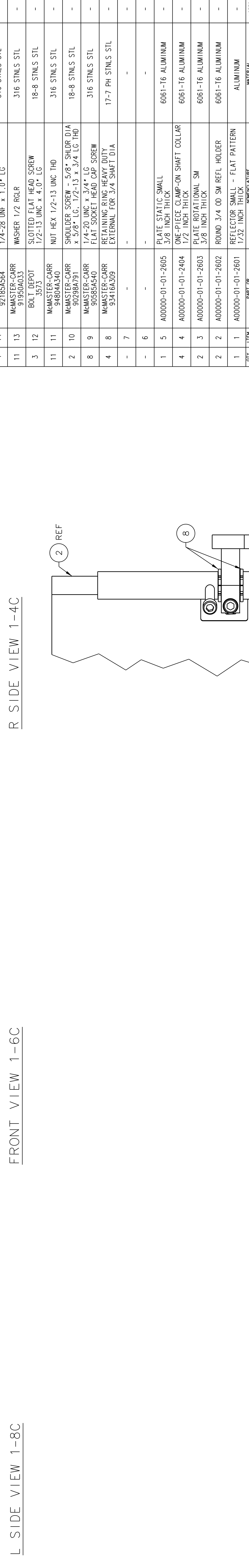
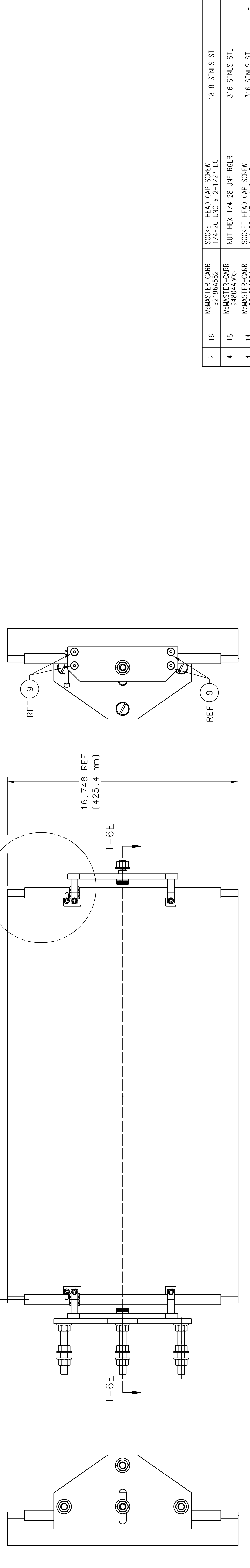
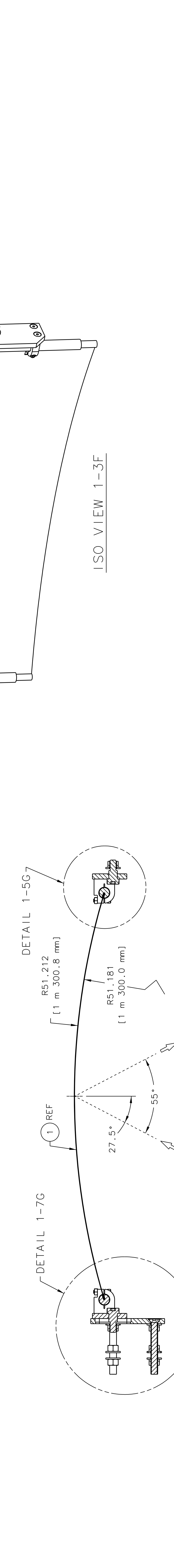
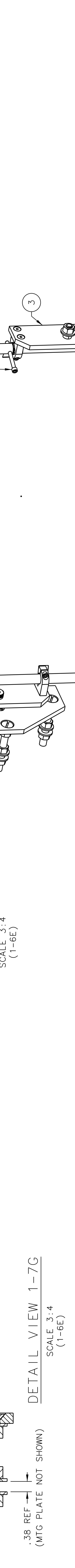
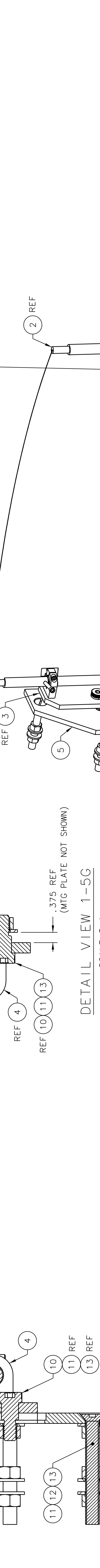


ZONE	REV	DESCRIPTION	DATE	APPROVED



OBJ. NO.	ITEM NO.	PART OR IDENTIFICATION NUMBER	QUANTITY	UNIT	DESCRIPTION	MATERIAL
2	16	MMASTER-CARR 92196A552			SOCKET HEAD CAP SCREW 1/4-20 UNC x 2-1/2" LG	18-8 STINLS STL
4	15	MMASTER-CARR 94804A305			NUT HEX 1/4-28 UNF RGLR	316 STINLS STL
4	14	MMASTER-CARR 92185A564			SOCKET HEAD CAP SCREW 1/4-28 UNF x 1.0" LG	316 STINLS STL
11	13	MMASTER-CARR 91950A033			WASHER 1/2 RGLR	316 STINLS STL
3	12	BOLT DEPOT 3573			SLOTTED FLAT HEAD SCREW 1/2-13 UNC x 4.0" LG	18-8 STINLS STL
11	11	MMASTER-CARR 94804A340			NUT HEX 1/2-13 UNC THD	316 STINLS STL
2	10	MMASTER-CARR 90298A791			SHOULDER SCREW - 5/8" SHDR DIA x 5/8" LG, 1/2-13 x 3/4 LG THD	18-8 STINLS STL
8	9	MMASTER-CARR 90585A540			1/4-20 UNC x 3/4" LG FLAT SOCKET HEAD CAP SCREW	316 STINLS STL
4	8	MMASTER-CARR 93416A309			RETAINING RING HEAVY DUTY EXTERNAL FOR 3/4 SHAFT DIA	17-7 PH STINLS STL
-	7	-			-	-
-	6	-			-	-
1	5	A00000-01-01-2605			PLATE STATIC SMALL 3/8 INCH THICK	6061-T6 ALUMINUM
4	4	A00000-01-01-2404			ONE-PIECE CLAMP-ON SHAFT COLLAR 1/2 INCH THICK	6061-T6 ALUMINUM
2	3	A00000-01-01-2603			PLATE ROTATIONAL SM 3/8 INCH THICK	6061-T6 ALUMINUM
2	2	A00000-01-01-2602			ROUND 3/4 OD SM REFL HOLDER	6061-T6 ALUMINUM
1	1	A00000-01-01-2601			REFLECTOR SMALL - FLAT PATTERN 1/32 INCH THICK	ALUMINUM

NOTES:  
1. WEIGHT IS APPROXIMATELY 8 LBS.