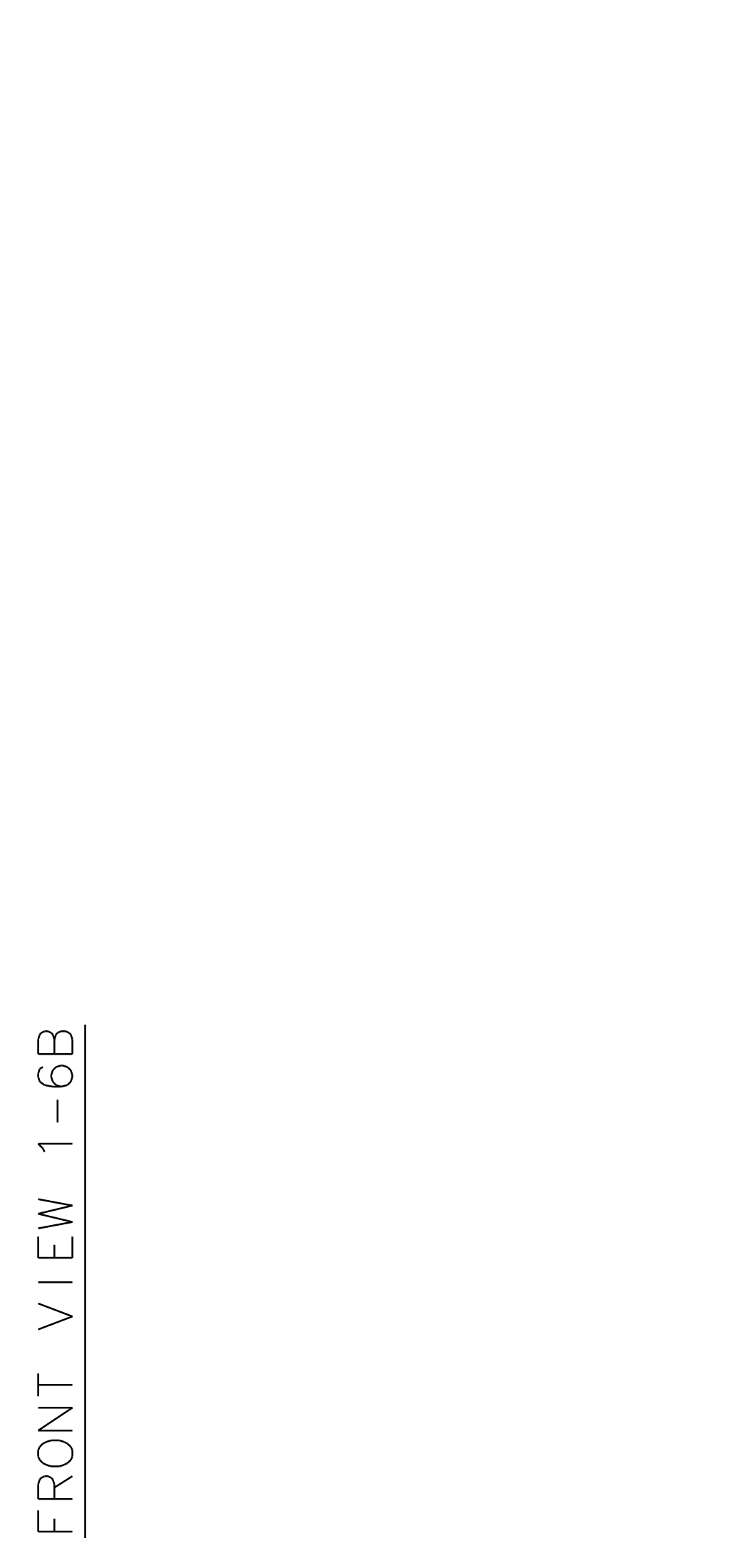
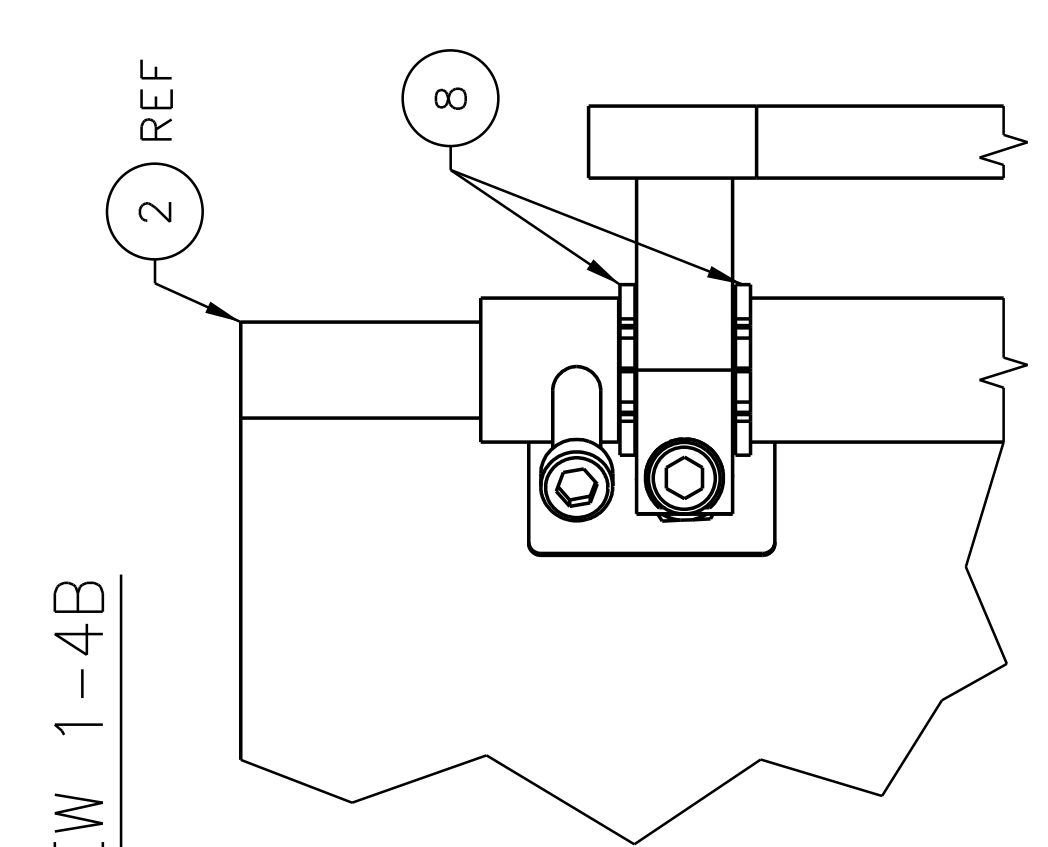
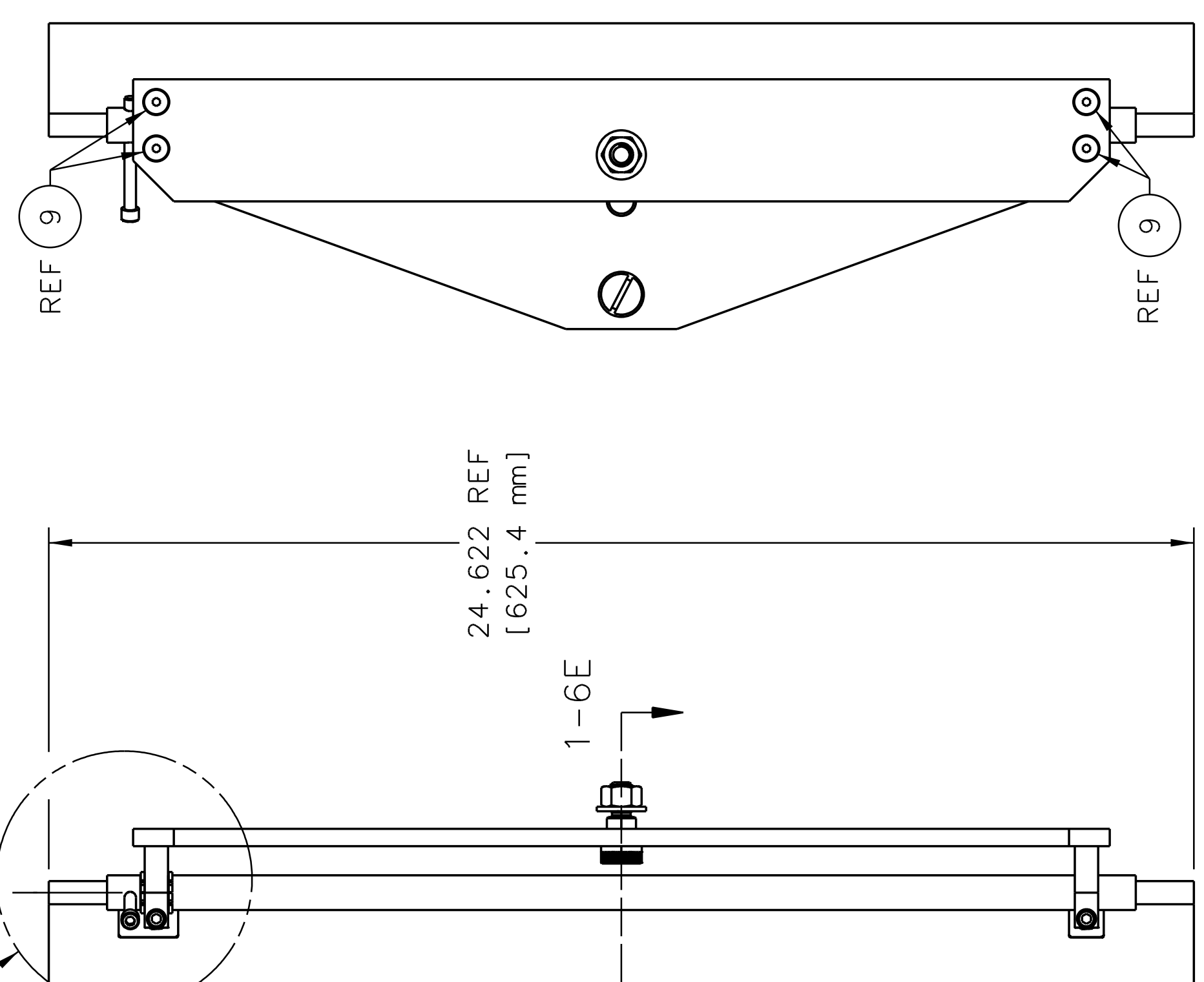
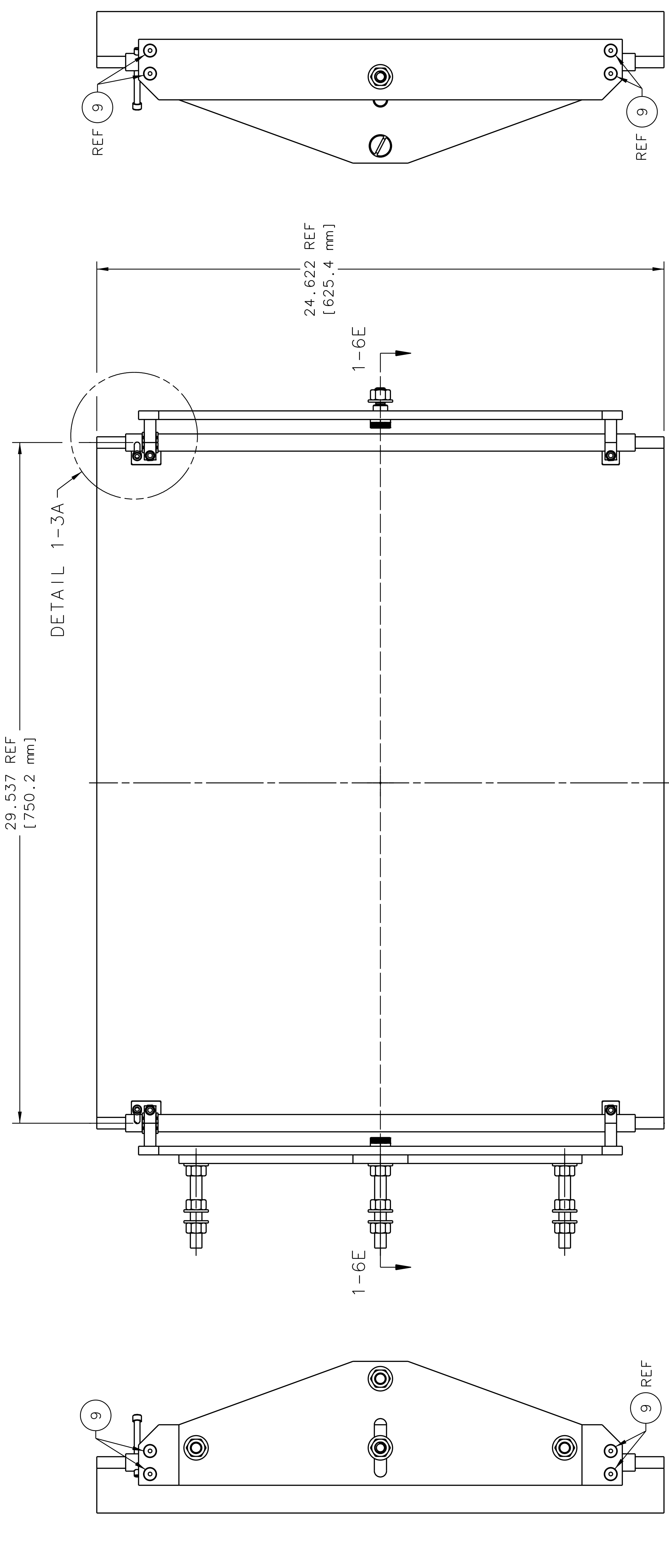
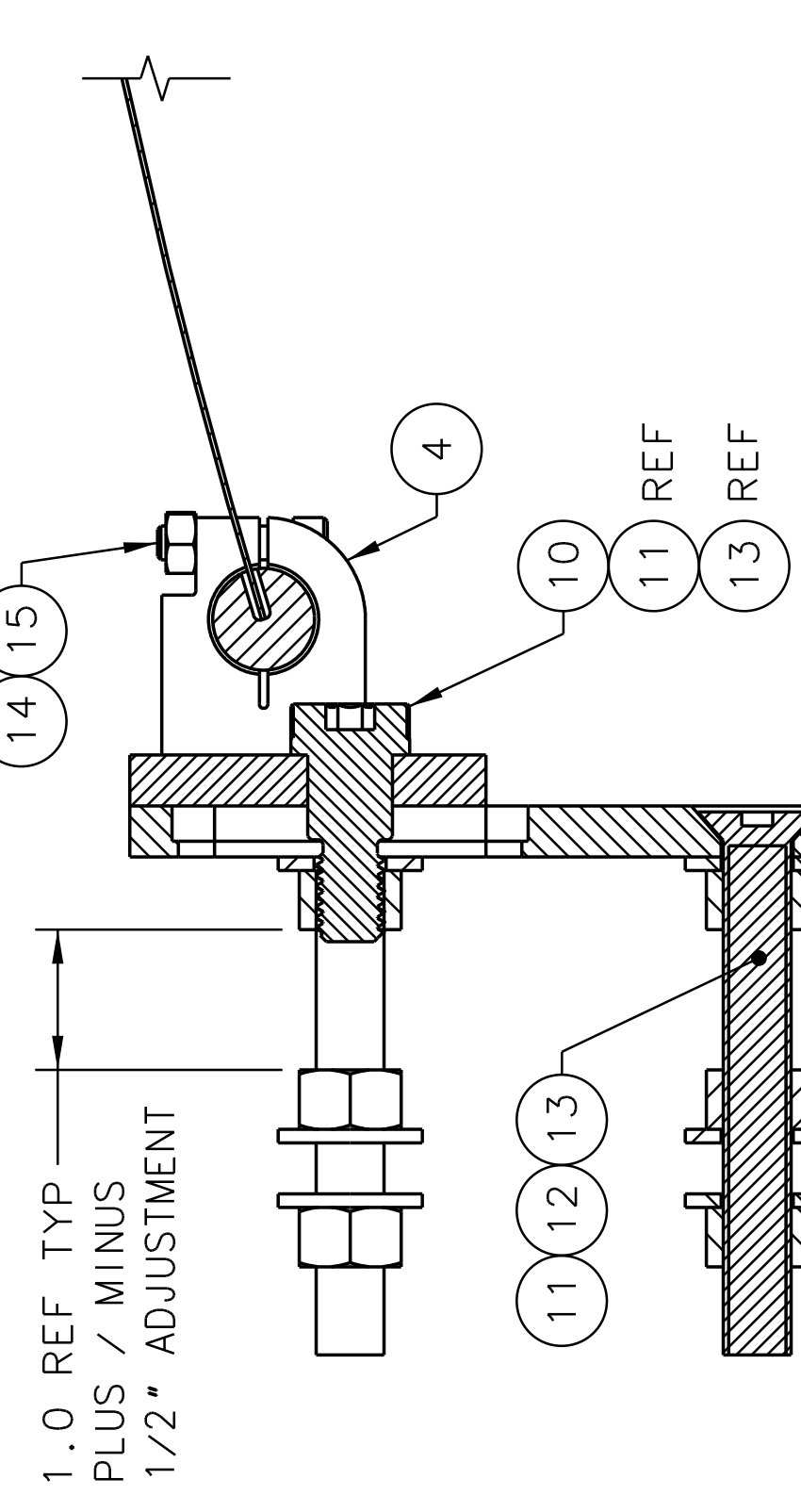
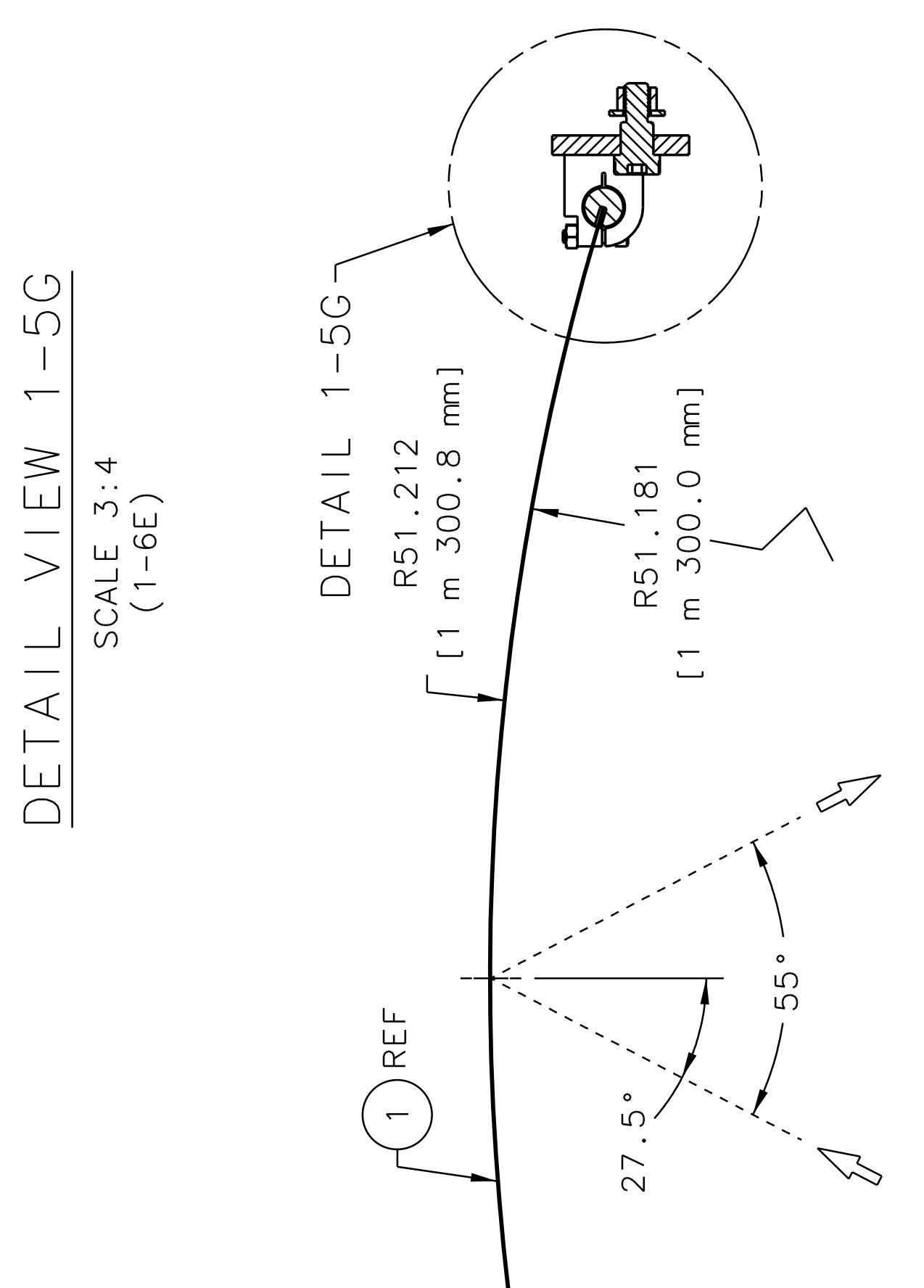
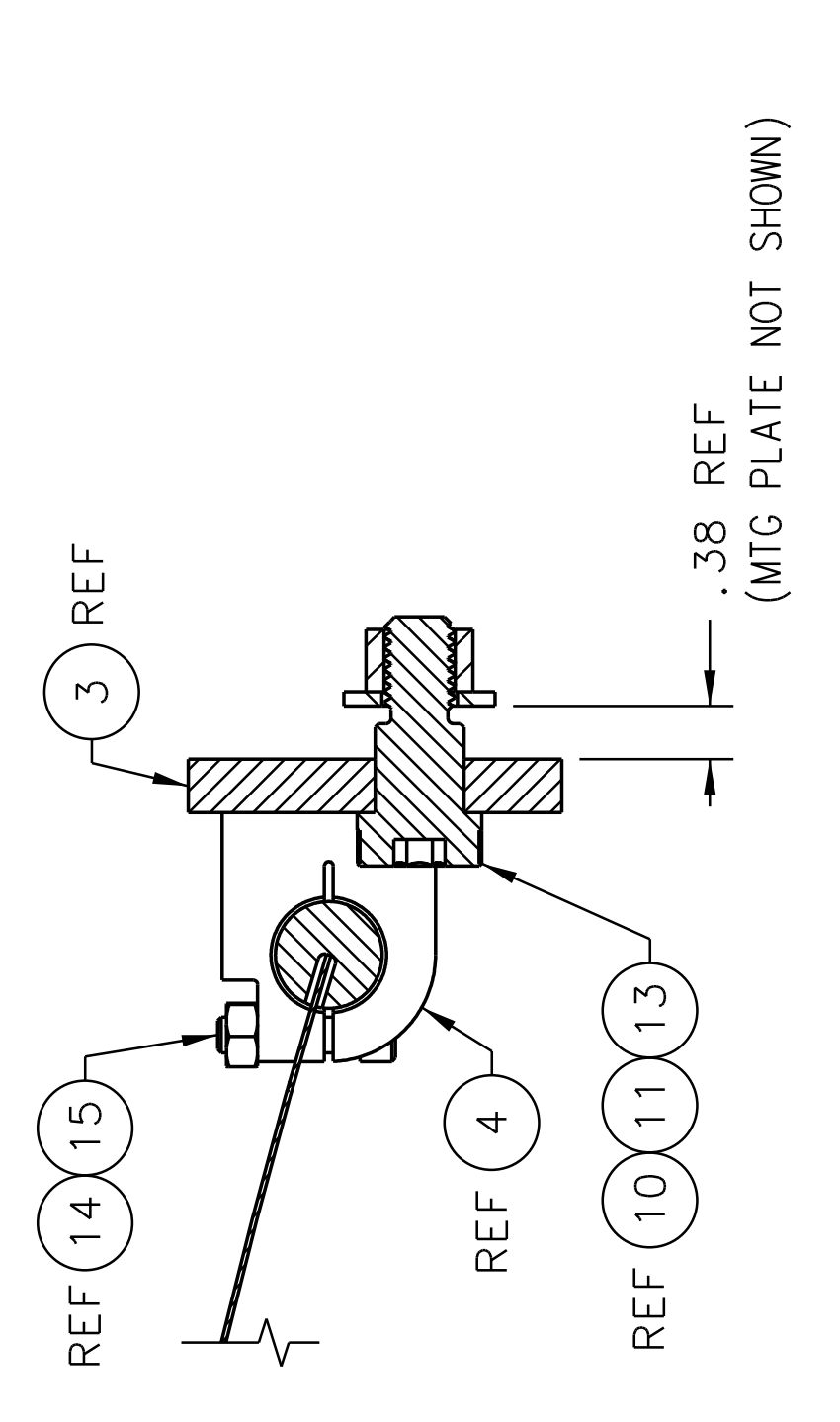
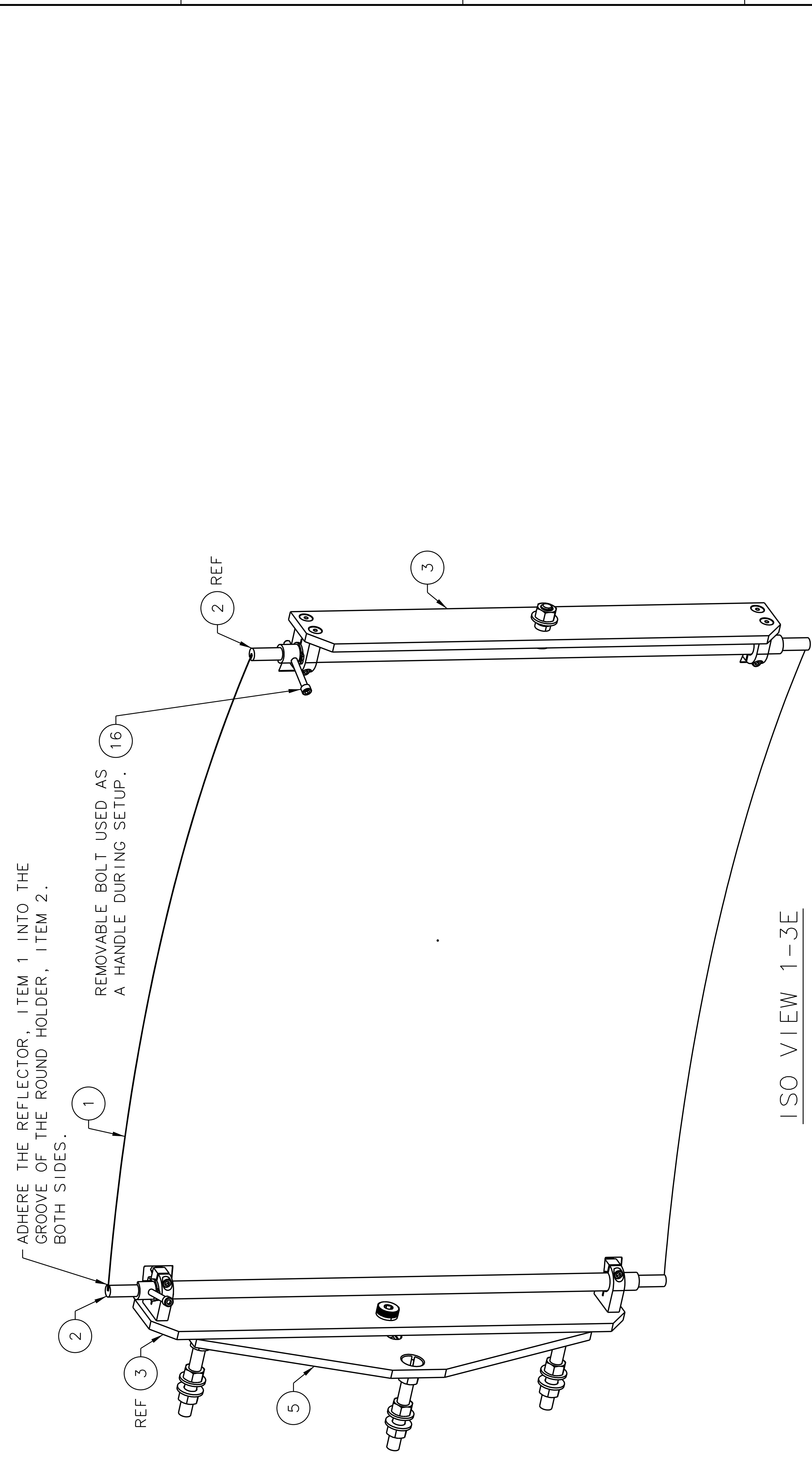


| ZONE | REV | DESCRIPTION | DATE | APPROVED |
|------|-----|-------------|------|----------|
| | | | | |



| QTY | ITEM NO. | PART OR IDENTIFICATION | DESCRIPTION | MATERIAL | NOTES |
|-----|----------|------------------------|--|--------------------|-------|
| 2 | 16 | MMASTER-CARR 92196A552 | SOCKET HEAD CAP SCREW 1/4-20 UNC x 2-1/2" LG | 18-8 STINLS STL | |
| 4 | 15 | MMASTER-CARR 94804A305 | NUT HEX 1/4-28 UNF RGLR | 316 STINLS STL | |
| 4 | 14 | MMASTER-CARR 92185A564 | SOCKET HEAD CAP SCREW 1/4-28 UNF x 1.0" LG | 316 STINLS STL | |
| 11 | 13 | MMASTER-CARR 91950A033 | WASHER 1/2 RGLR | 316 STINLS STL | |
| 3 | 12 | BOLT DEPOT 3573 | SLOTTED FLAT HEAD SCREW 1/2-13 UNC x 4.0" LG | 18-8 STINLS STL | |
| 11 | 11 | MMASTER-CARR 94804A340 | NUT HEX 1/2-13 UNC THD | 316 STINLS STL | |
| 2 | 10 | MMASTER-CARR 90298A791 | SHOULDER SCREW - 5/8" SHldr DIA x 5/8" LG, 1/2-13 x 3/4 LG THD | 18-8 STINLS STL | |
| 8 | 9 | MMASTER-CARR 90585A540 | 1/4-20 UNC x 3/4" LG FLAT SOCKET HEAD CAP SCREW | 316 STINLS STL | |
| 4 | 8 | MMASTER-CARR 93416A309 | RETAINING RING HEAVY DUTY EXTERNAL FOR 3/4" SHAFT DIA | 17-7 PH STINLS STL | |
| - | 7 | - | - | - | - |
| - | 6 | - | - | - | - |
| 1 | 5 | A00000-01-01-2405 | PLATE STATIC LARGE 3/8 INCH THICK | 6061-T6 ALUMINUM | |
| 4 | 4 | A00000-01-01-2404 | ONE-PIECE CLAMP-ON SHAFT COLLAR 1/2 INCH THICK | 6061-T6 ALUMINUM | |
| 2 | 3 | A00000-01-01-2403 | PLATE ROTATIONAL LGE 3/8 INCH THICK | 6061-T6 ALUMINUM | |
| 2 | 2 | A00000-01-01-2402 | ROUND 3/4 OD LGE REFL HOLDER | 6061-T6 ALUMINUM | |
| 1 | 1 | A00000-01-01-2401 | REFLECTOR LARGE - FLAT PATTERN 1/32 INCH THICK | ALUMINUM | |

| UNITED STATES DEPARTMENT OF JUSTICE FEDERAL BUREAU OF INVESTIGATION | TRACKING NO. N/A | DATE | APPROVALS | DATE | APPROVED |
|---|------------------|----------|-----------|------|----------|
| | | 03/01/13 | | | |

THIRD ANGLE PROJECTION

AS NOTED

UNLESS OTHERWISE SPECIFIED, DIMENSIONS ARE IN INCHES FRACTIONS ARE 1/16" & 1/32" UNLESS NOTED

FINISH SURFACES UNLESS NOTED DEBUR & BREAK ALL SHARP EDGES

DO NOT SCALE DRAWING

DOCUMENT CONTROL STAMP

UNITED STATES DEPARTMENT OF JUSTICE FEDERAL BUREAU OF INVESTIGATION

TRACKING NO. N/A

DATE 03/01/13

APPROVALS

APPROVED

REVISION HISTORY

REV 1 A00000-01-01-2400

SHEET 3-18 OF 300

NOTES:

1. WEIGHT IS APPROXIMATELY 13 LBS.

EACH SHEET OF MULTI-SHEET DRAWINGS SHALL ALWAYS HAVE THE SAME REVISION LEVEL. UNLESS OTHERWISE SPECIFIED, DIMENSIONS ARE IN INCHES. FRACTIONS ARE 1/16" & 1/32" UNLESS NOTED.

FINISH SURFACES UNLESS NOTED DEBUR & BREAK ALL SHARP EDGES.

DO NOT SCALE DRAWING.

AS NOTED

UNLESS OTHERWISE SPECIFIED, DIMENSIONS ARE IN INCHES. FRACTIONS ARE 1/16" & 1/32" UNLESS NOTED.

FINISH SURFACES UNLESS NOTED DEBUR & BREAK ALL SHARP EDGES.

DO NOT SCALE DRAWING.