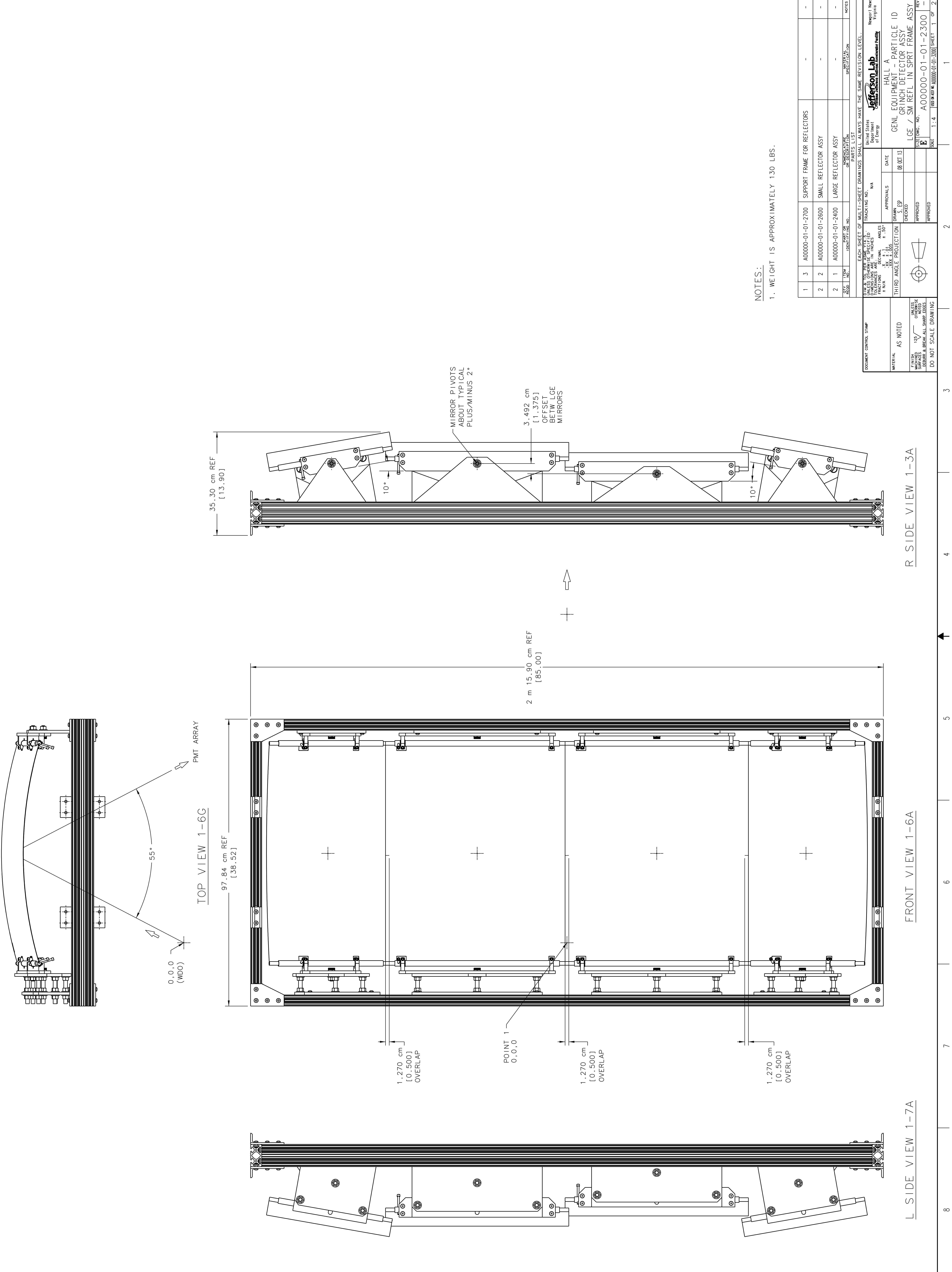


ZONE	REV	DESCRIPTION	DATE	APPROVED



NOTES:
1. WEIGHT IS APPROXIMATELY 130 LBS.

NO.	REV	DESCRIPTION	DATE	APPROVED
1	3	A00000-01-01-2700	SUPPORT FRAME FOR REFLECTORS	
2	2	A00000-01-01-2600	SMALL REFLECTOR ASSY	
2	1	A00000-01-01-2400	LARGE REFLECTOR ASSY	

UNIT	DESCRIPTION	DATE	APPROVED
UNITED STATES	DEPARTMENT OF ENERGY	08/08/13	ESB
<p>THIRD ANGLE PROJECTION</p>			

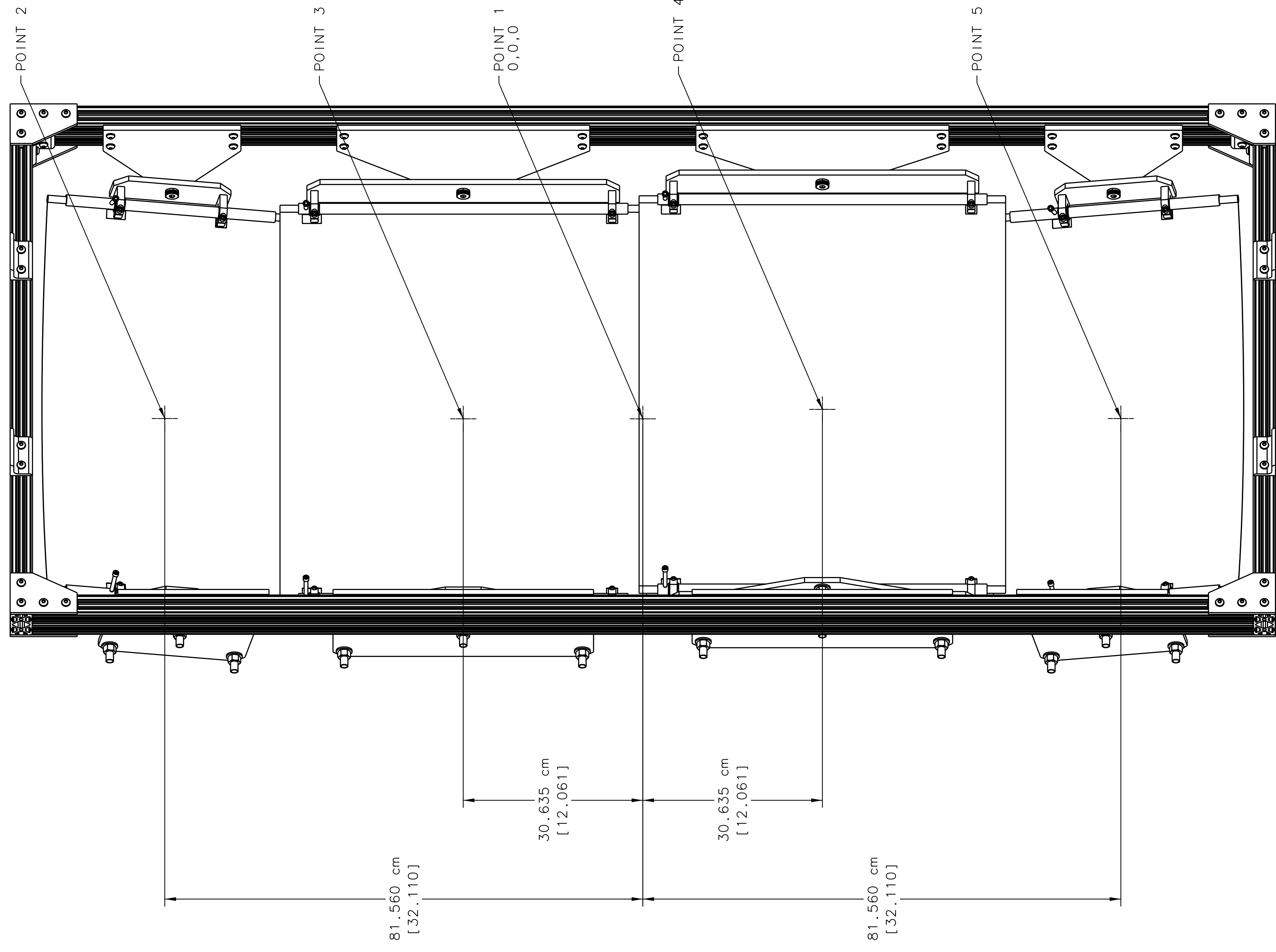
DOCUMENT CONTROL STAMP
MATERIAL AS NOTED
FINISH UNLESS OTHERWISE SPECIFIED
DIMENSIONS ARE IN INCHES UNLESS NOTED OTHERWISE
DO NOT SCALE DRAWING

R SIDE VIEW 1-3A

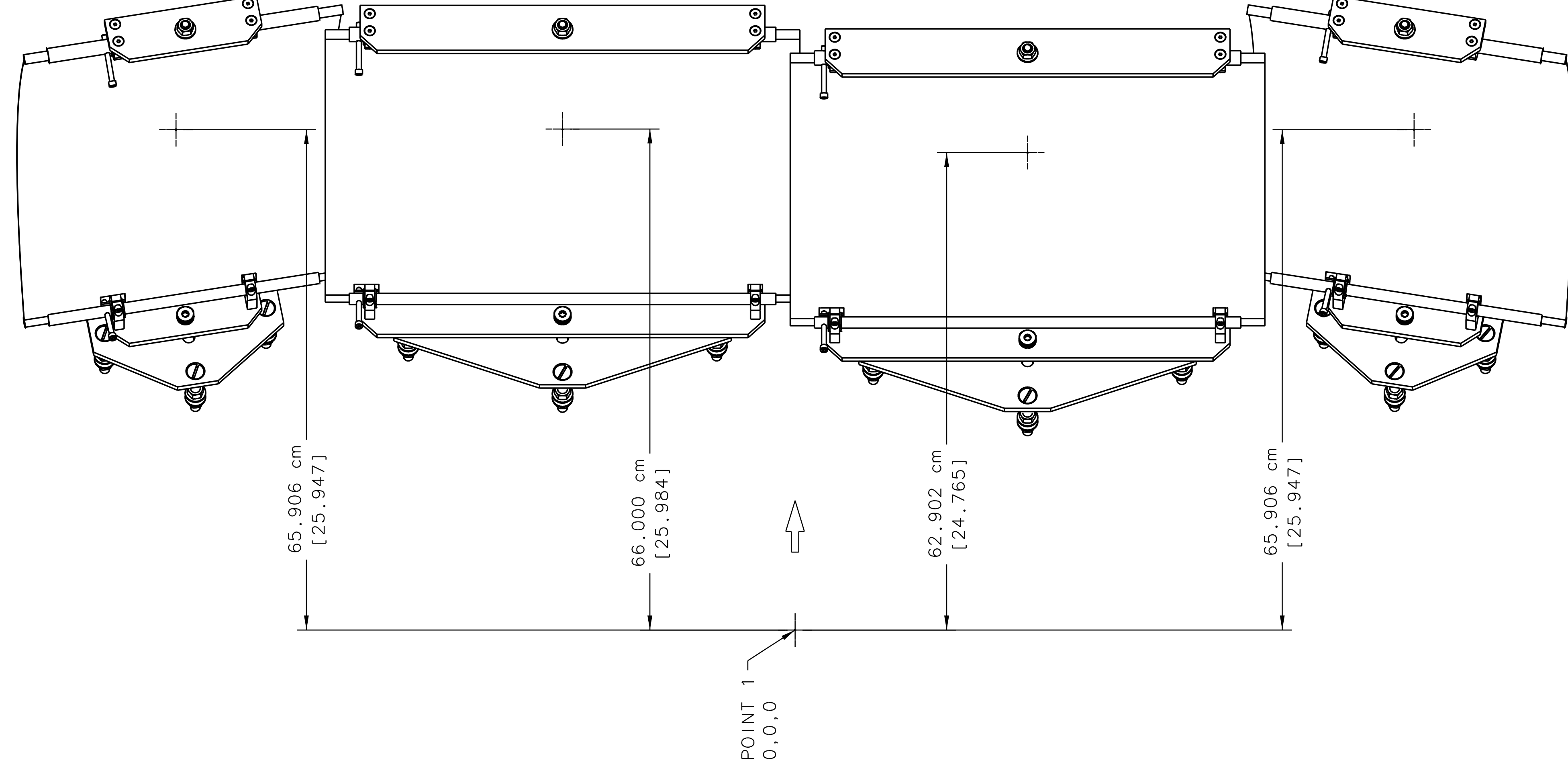
FRONT VIEW 1-6A

L SIDE VIEW 1-7A

MIRROR FRONT FACE CENTER COORDINATES			
UNITS ARE IN CM	CENTER		
	X	Y	Z
1. OPNG OF FRONT WINDOW:	0.000	0.000	0.000
2. TOP SMALL MIRROR:	0.049	81.560	-65.906
3. TOP LARGE MIRROR:	0.000	30.635	-66.000
4. BOTTOM LARGE MIRROR:	1.613	-30.635	-62.902
5. BOTTOM SMALL MIRROR:	0.049	-81.560	-65.906



LOOKING ALONG Z - VIEW 2-6A
(LOOKING DOWNSTREAM)



R SIDE VIEW 2-3A
(FRAME NOT SHOWN FOR CLARITY)