

Edet Hall D electronics

# Hall D wire chamber amplifier and discriminator

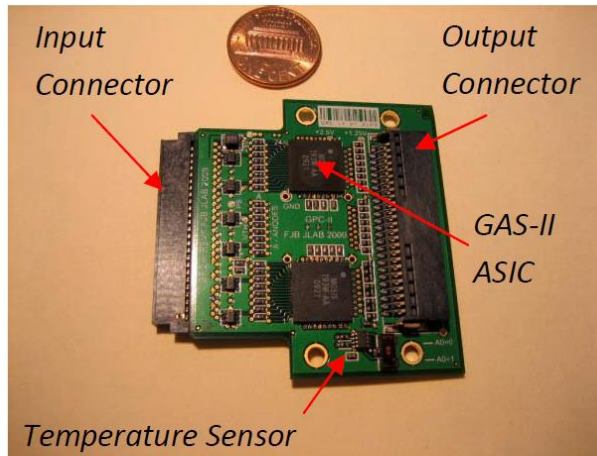


Figure 1: GPC-II – Top View.

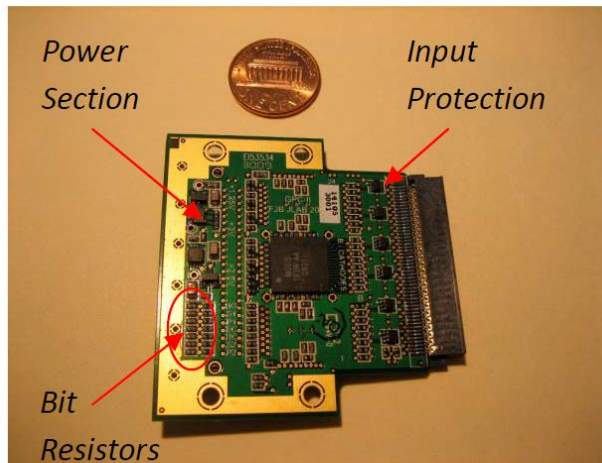


Figure 2: GPC-II – Bottom View.

- 24 channels each
- Analog amplifier or discriminated output
- Differential output
  - Analog
  - LVDS

# Signal to noise

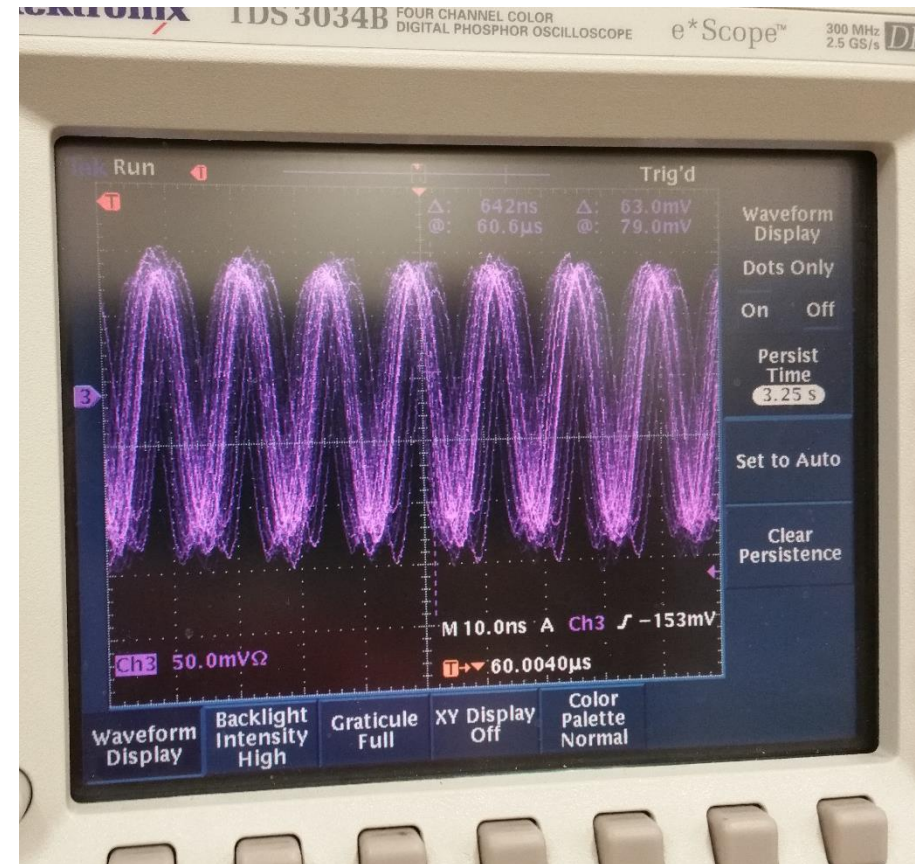
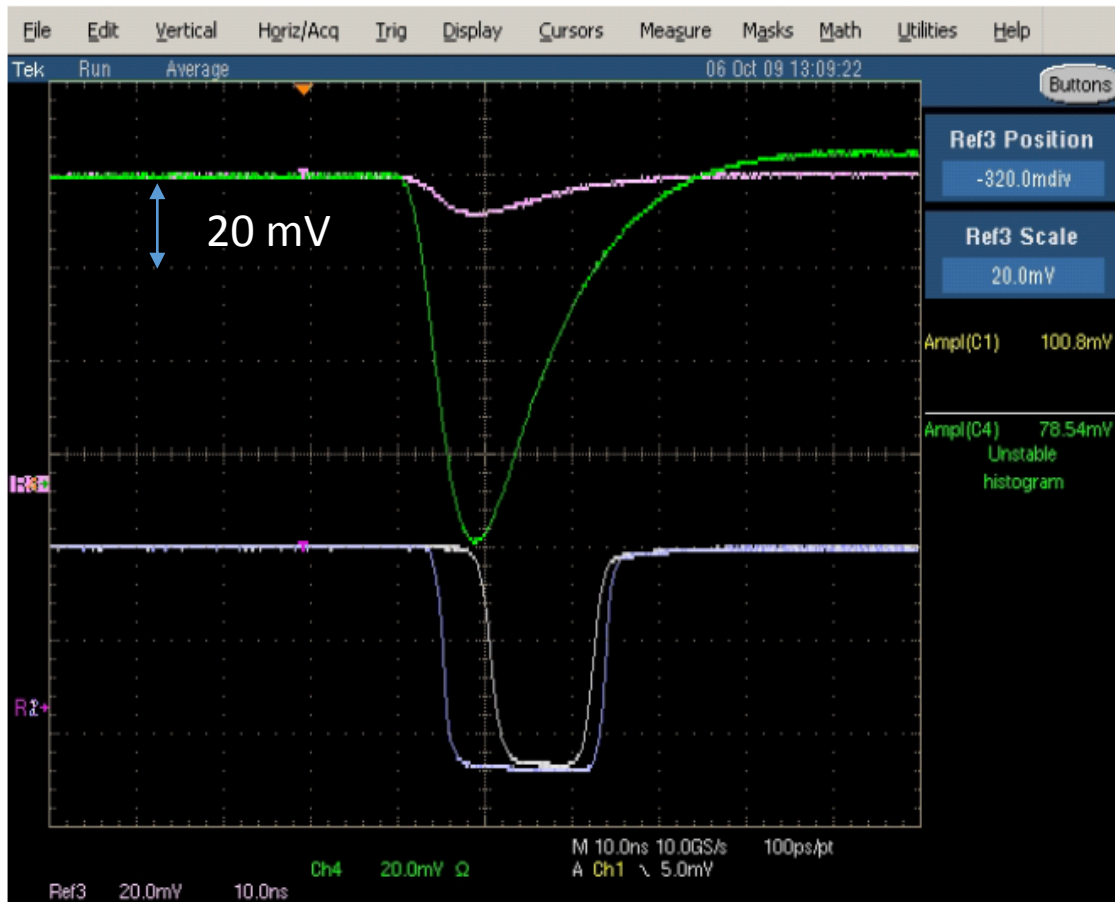


Figure 8: Time-walk for 10 fC to 100 fC.

# Plan for CREX / PREX

- Run with half electronics : lower detector only 96 strips
- Use other connector to power A/D inside the CAN
- Need isolator board ( capacitor ) for inside can